

S. & A.S. Co. Ltd

17V 17V P GND CLGT LGHT

+22V (-)

RELEVELING RELAY PUMP CONTACTOR DOWN DIRECTION VALVE HIGH SPEED VALVE

LOW SPD UP DIR STAR DN DIR HIGH SPD CDRV

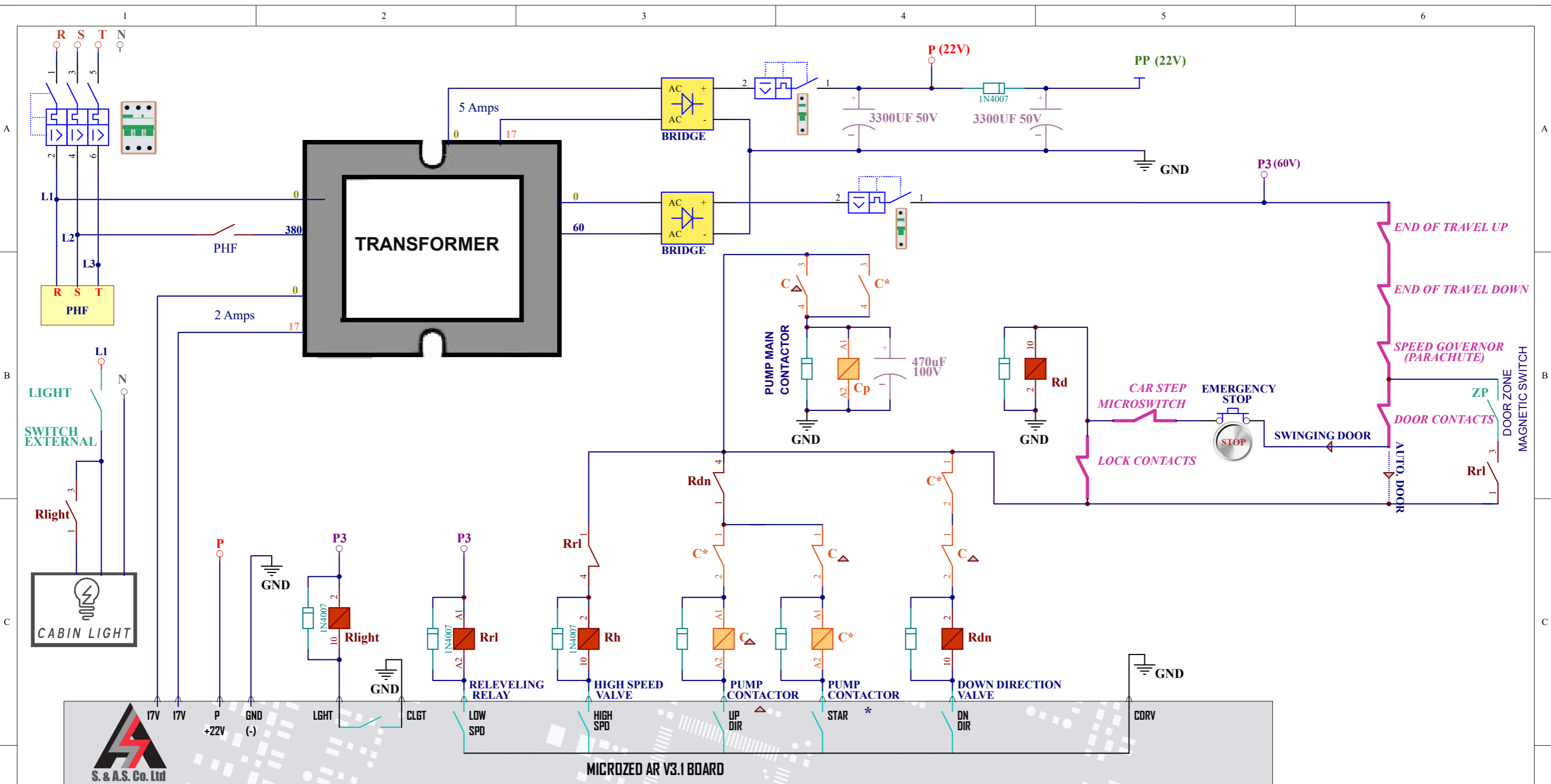
MICROZED AR V3.1 BOARD

S.&A.S. Ltd.
 Jieh Chouf
 Lebanon
 support@sascontrollers.com

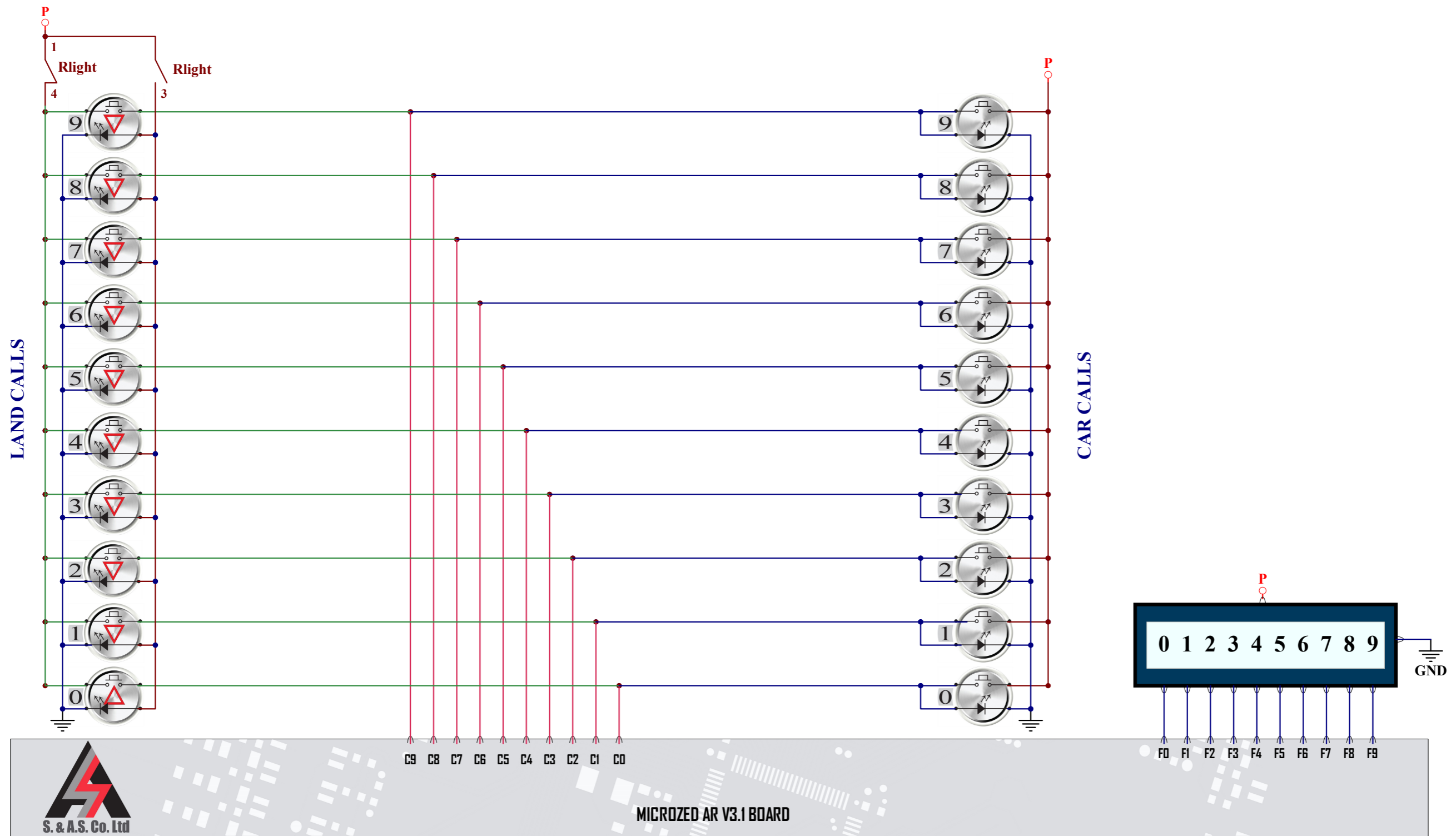
MICROZED AR WIRING DIAG: SUPPLY & OUTPUTS - HYDRAULIC DOL

DC Contactors

Size B	FCSM No. -	DWG No. BR310W1_Hyd_Supply_ContDC.Sch	Rev 1
Scale -	Sheet 1 of 11		



S.&A.S. Ltd. Jieh Chouf Lebanon support@sascontrollers.com			
MICROZED AR WIRING DIAG: SUPPLY & OUTPUTS - HYDRAULIC STAR/DELTA DC Contactors			
Size B	FCSM No. -	DWG No. BR310W2_Hyd_STAR-DELTA.Sch	Rev 1
Scale -	Sheet 2 of 11		



MICROZED AR V3.1 BOARD

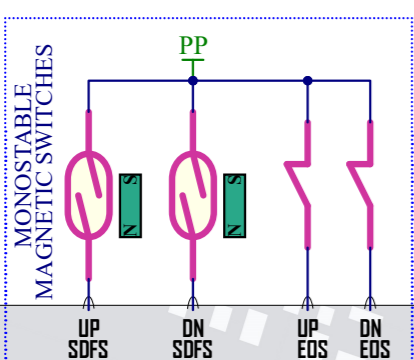
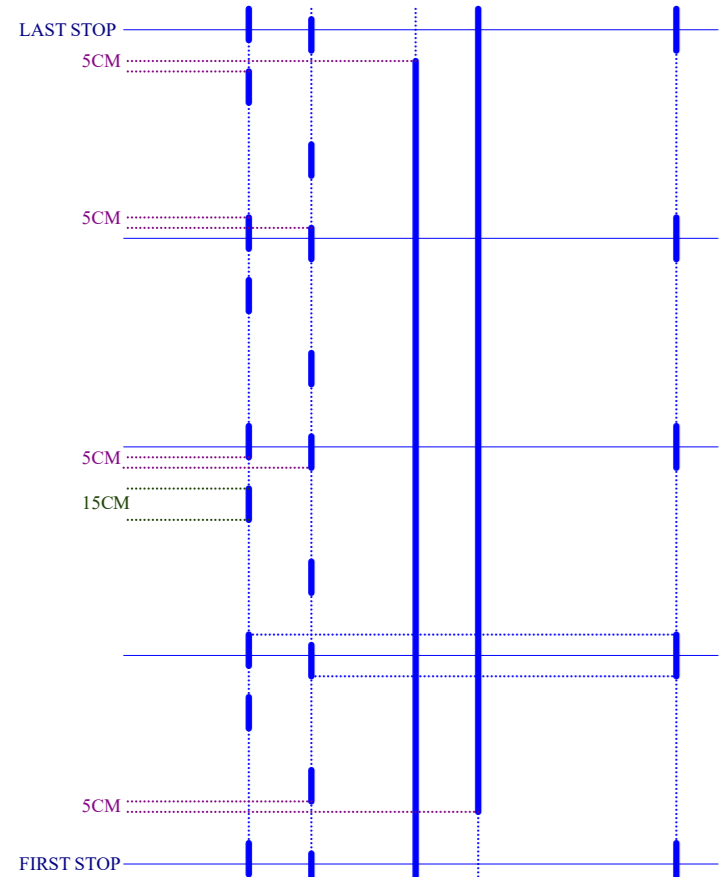
INDICATR="DECIMAL"

S.&A.S. Ltd.
Jieh Chouf
Lebanon
support@sascontrollers.com

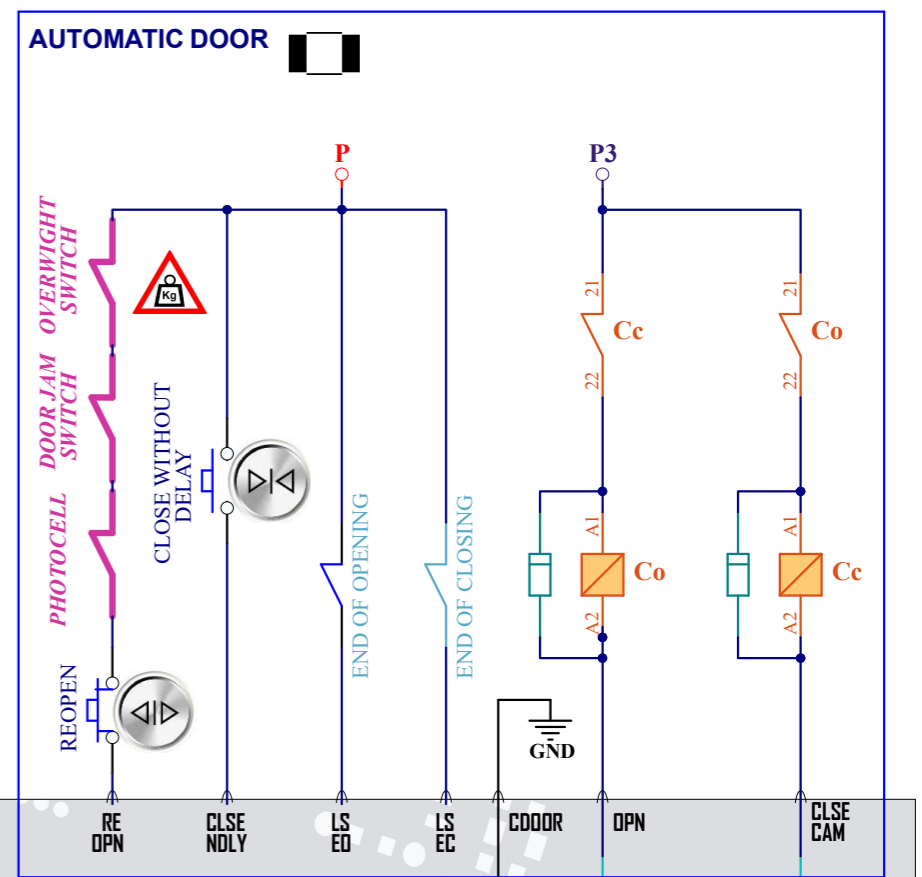
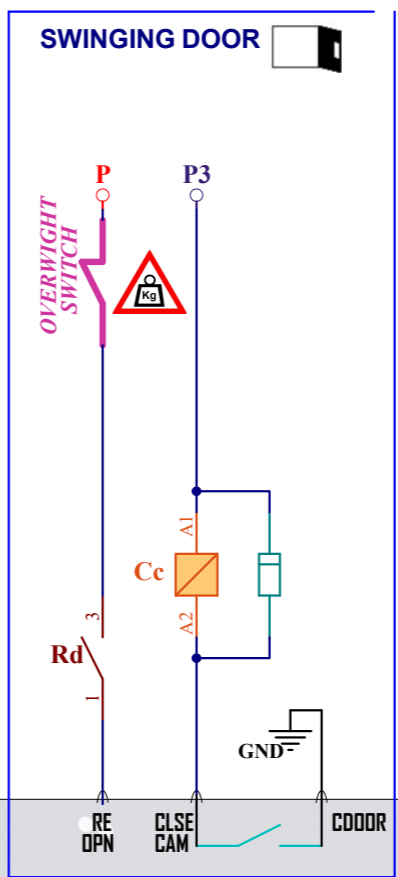
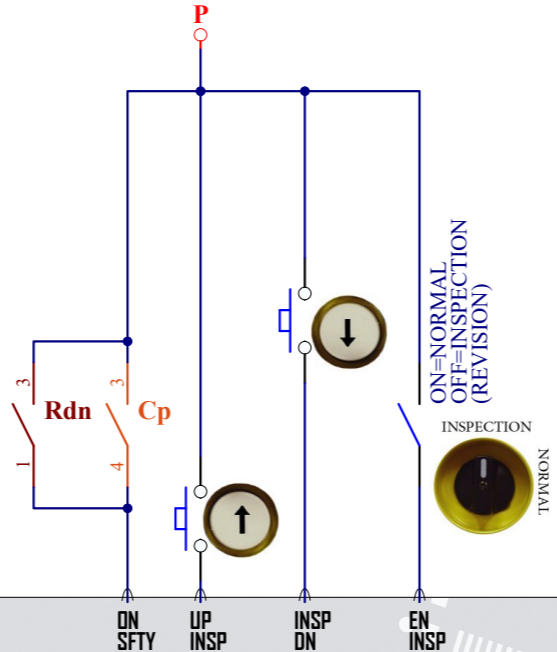
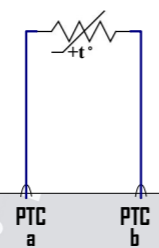
MICROZED AR WIRING DIAG: CALLS / FLOOR INFORMATION

Decimal Indicator - No Call Register

Size B	FCSM No.	DWG No. BR310W7_Calls.Sch	Rev 1
Scale	Sheet		7 of 11



ZP DOOR ZONE MAGNETIC SWITCH



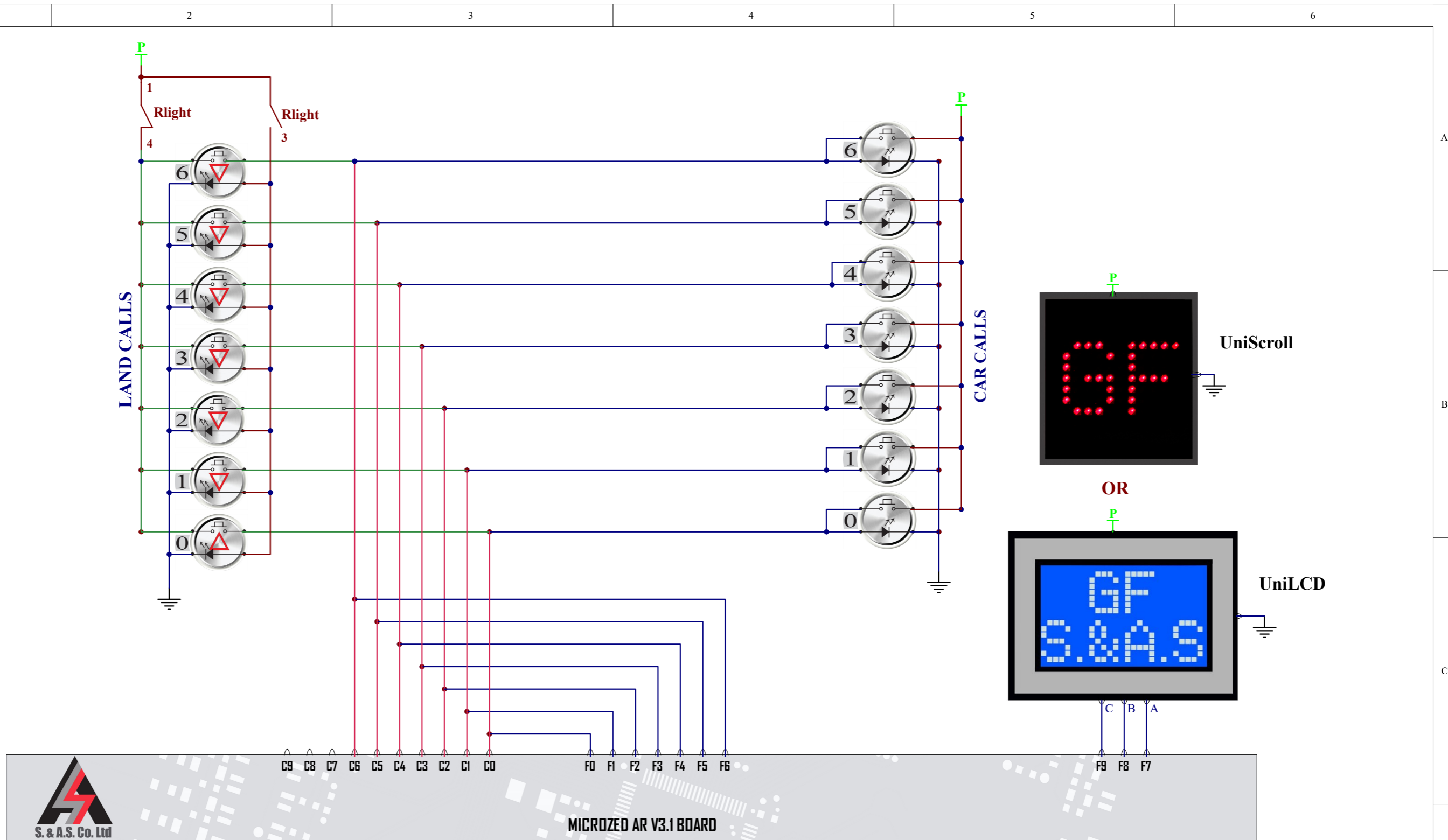
MICROZED AR V3.1 BOARD

Note:
1- Use always the Monostable Magnetic Switches configuration for Hydraulic drive.

S.&A.S. Ltd.
Jieh Chouf
Lebanon
support@sascontrollers.com

MICROZED AR WIRING DIAG: **INPUTS/DOOR INFO - HYDRAULIC DRIVE**
DC Contactors

Size B	FCSM No.	DWG No. BR310W3_Hyd_Ips_ContDC.Sch	Rev 1
Scale	Sheet		3 of 11



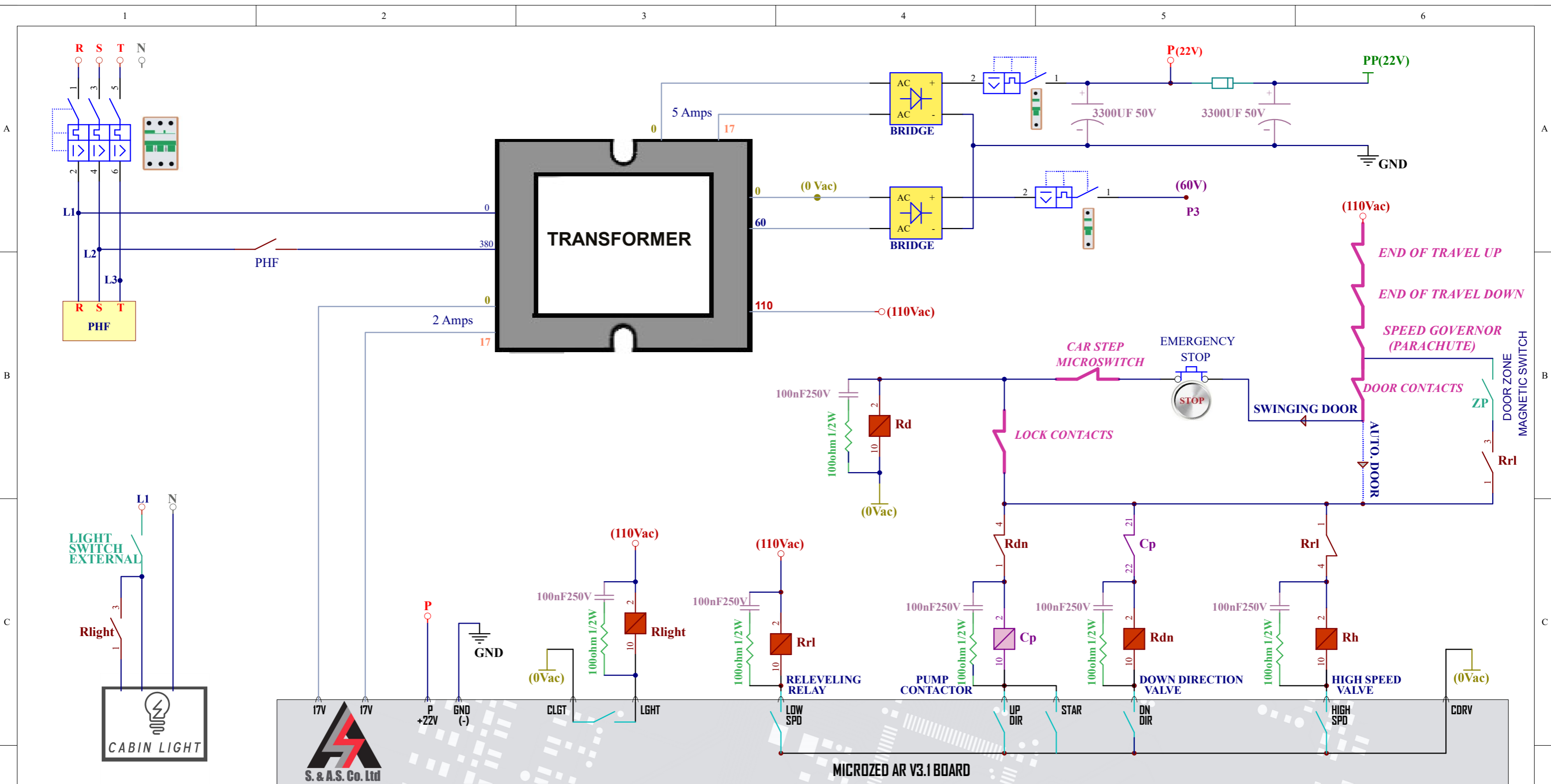
MICROZED AR V3.1 BOARD

INDICATR="COLLECT7" or
INDICATR="GRAY R" or
INDICATR="BINARY R"

S.&A.S. Ltd.
Jieh Chouf
Lebanon
support@sascontrollers.com

MICROZED AR WIRING DIAG: CALLS / FLOOR INFORMATION
Gray/ Binary/ Collective with Call Register

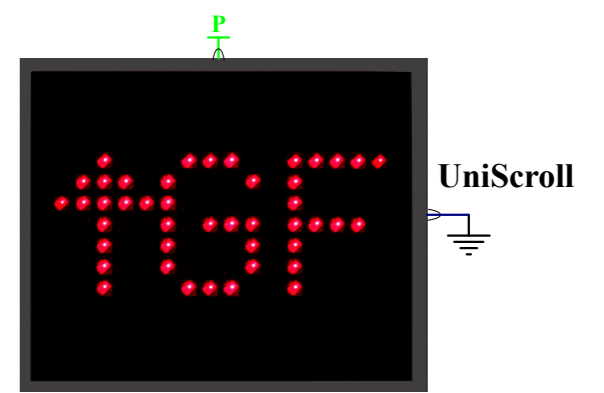
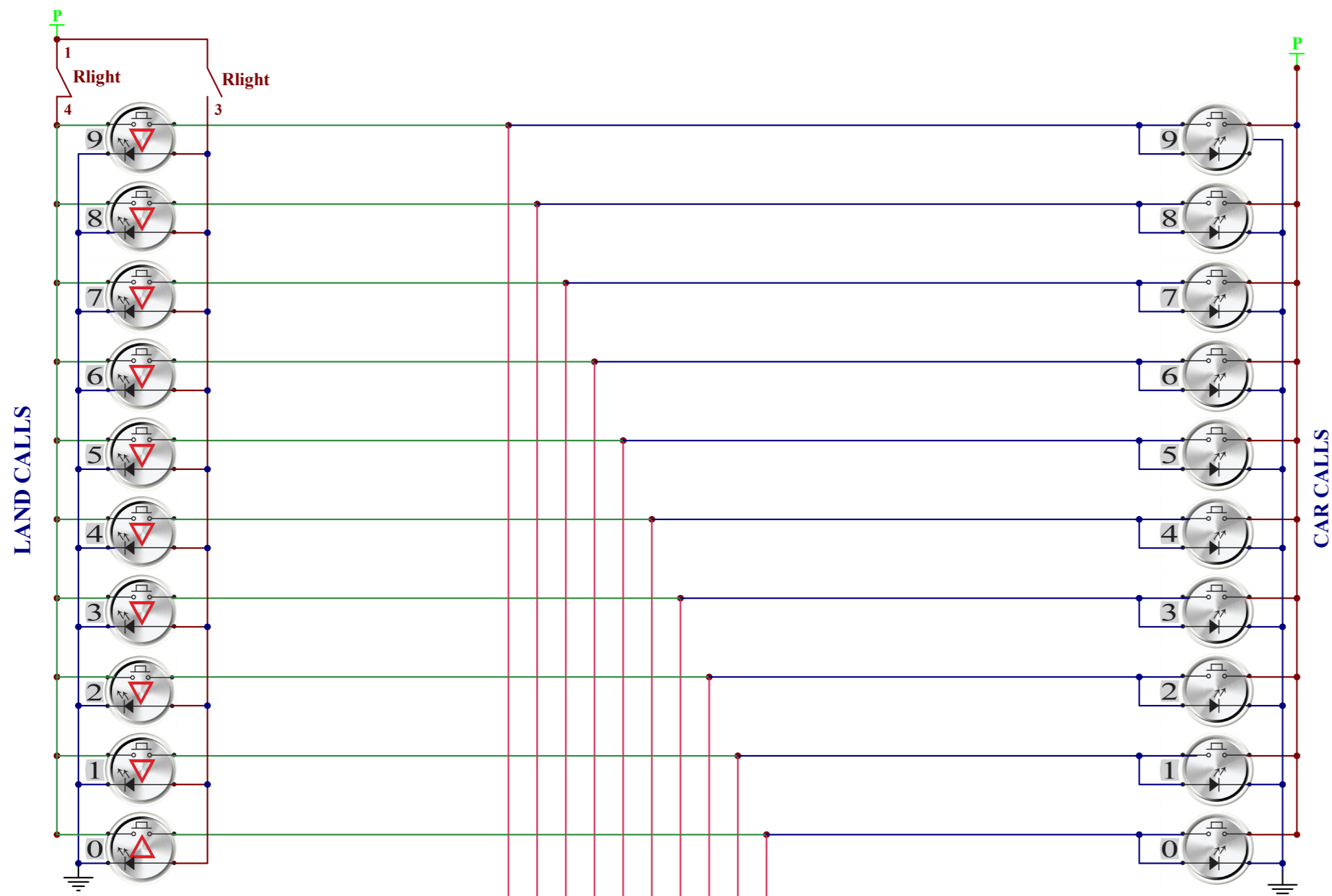
Size B	FCSM No.	DWG No. BR310W8_Calls.Sch	Rev 1
Scale	Sheet		8 of 11



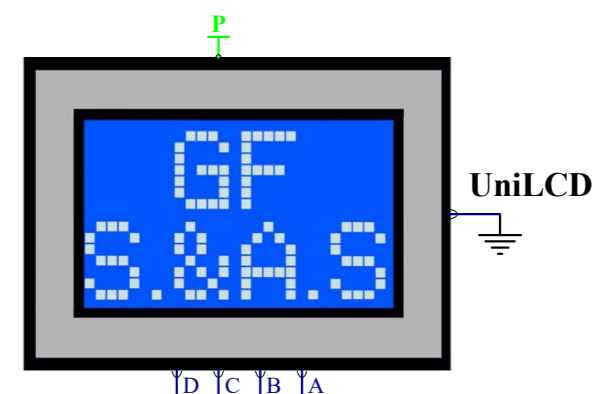
S.&A.S. Ltd.
 Jieh Chouf
 Lebanon
 support@sascontrollers.com

MICROZED AR WIRING DIAG: SUPPLY & OUTPUTS - HYDRAULIC DOL
AC Contactors

Size B	FCSM No. -	DWG No. BR310W4_Hyd_Supply_ContAC.Sch	Rev 1
Scale -	Sheet 4 of 11		

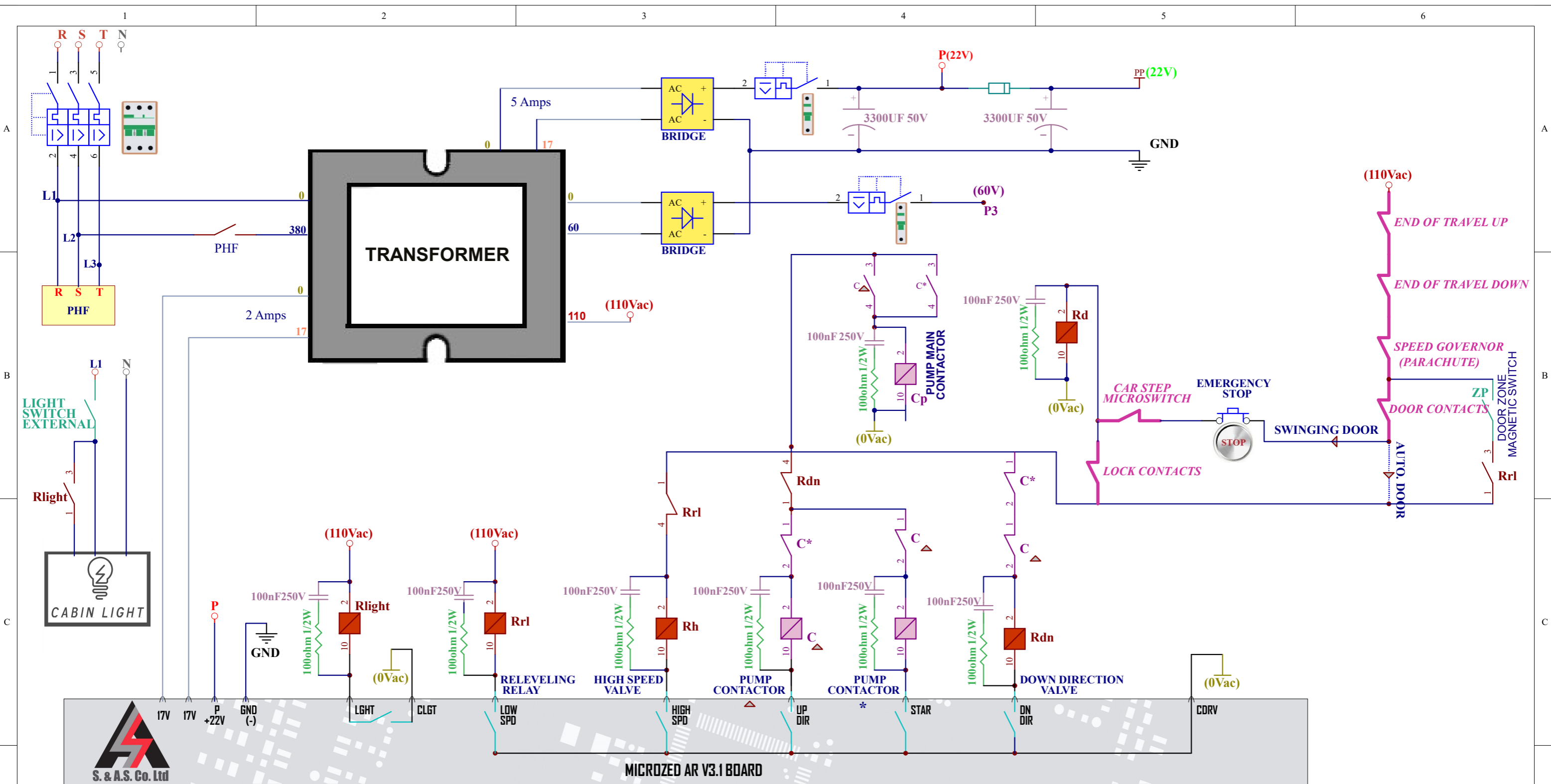


OR




C9 C8 C7 C6 C5 C4 C3 C2 C1 C0
F9 F8 F7 F6
MICROZED AR V3.1 BOARD

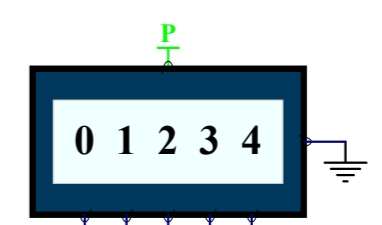
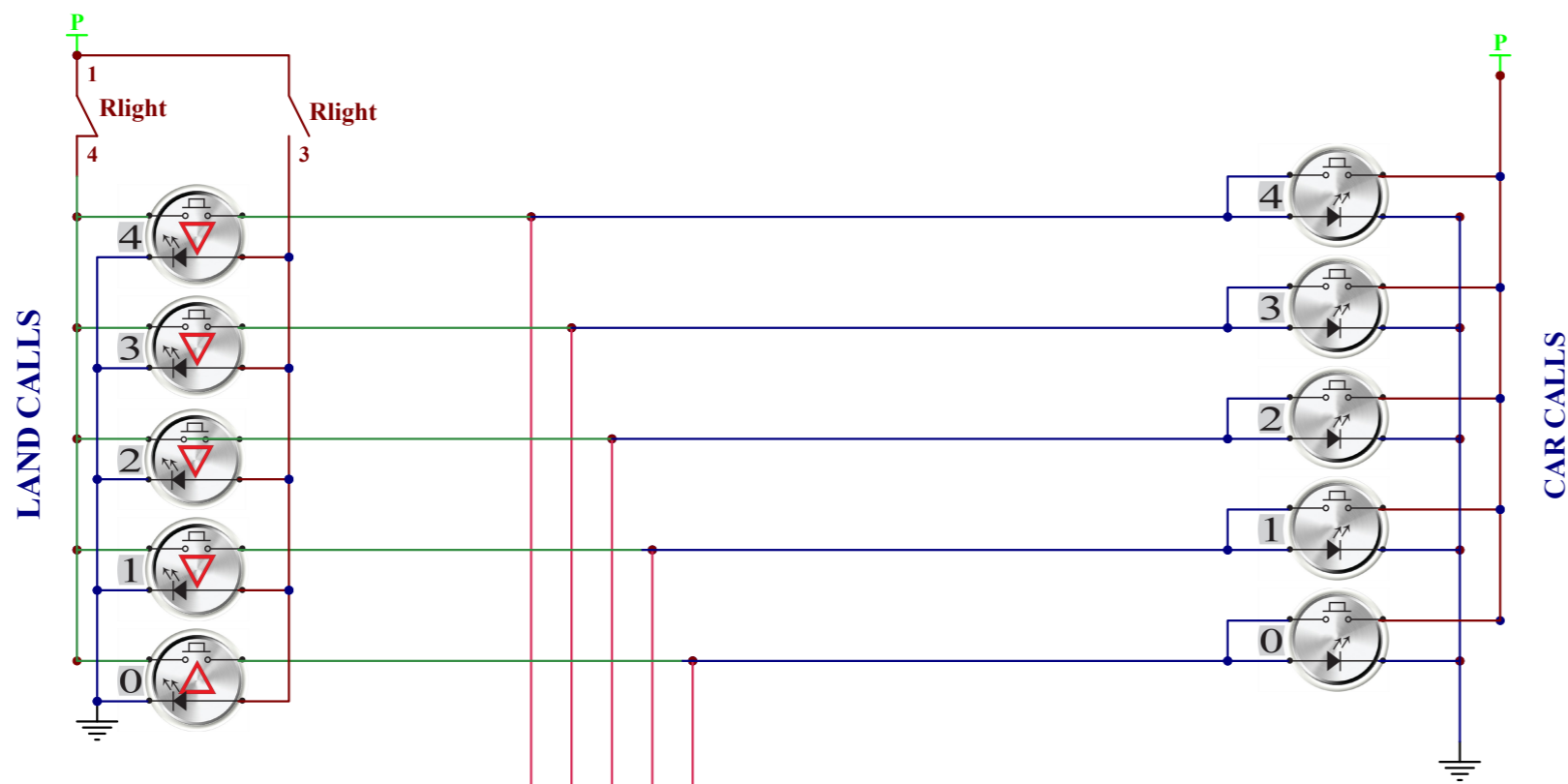
INDICATR="GRAY NR" or INDICATR="BINARY NR"		S.&A.S. Ltd. Jieh Chouf Lebanon support@sascontrollers.com		
MICROZED AR WIRING DIAG: CALLS / FLOOR INFORMATION Binary/Gray Indicator - No Call Register				
Size B	FCSM No. -	DWG No. BR310W9_Calls.Sch	Rev 1	
Scale -		Sheet 9 of 11		




S.&A.S. Ltd.
 Jieh Chouf
 Lebanon
 support@sascontrollers.com

MICROZED AR WIRING DIAG: SUPPLY & OUTPUTS - HYDRAULIC STAR/DELTA AC Contactors

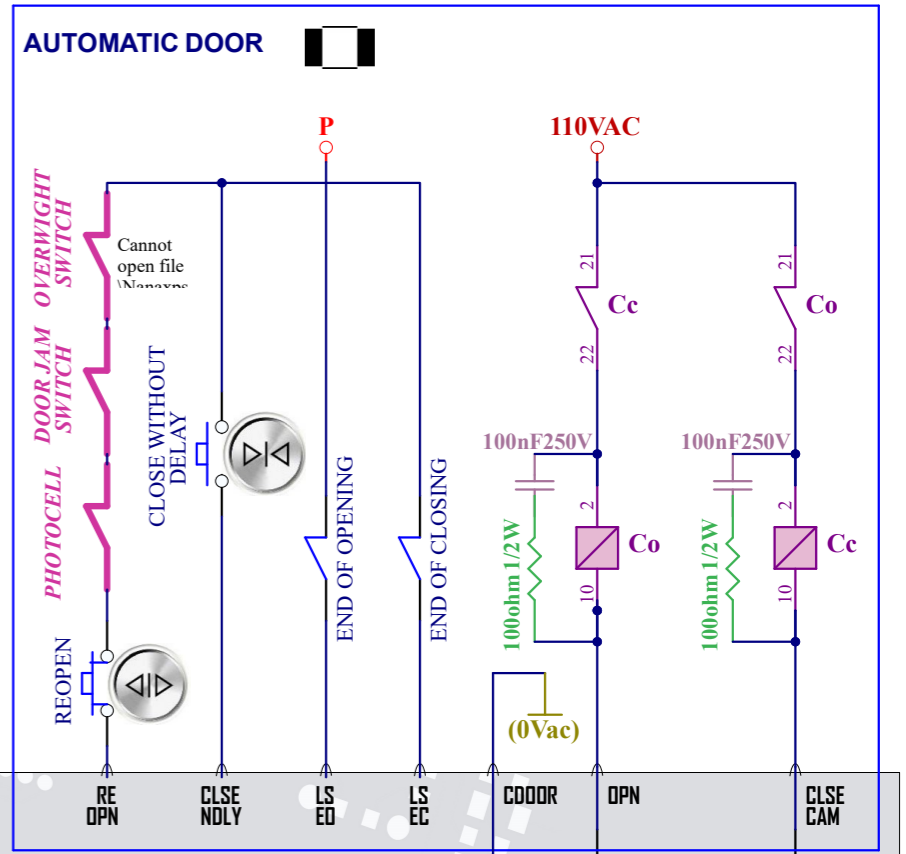
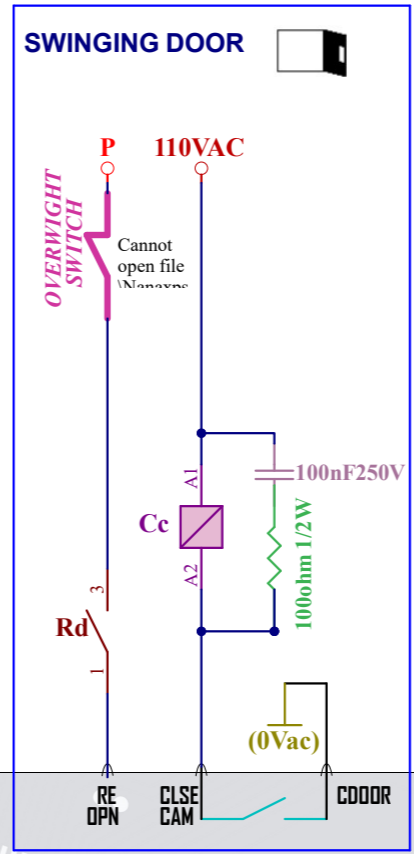
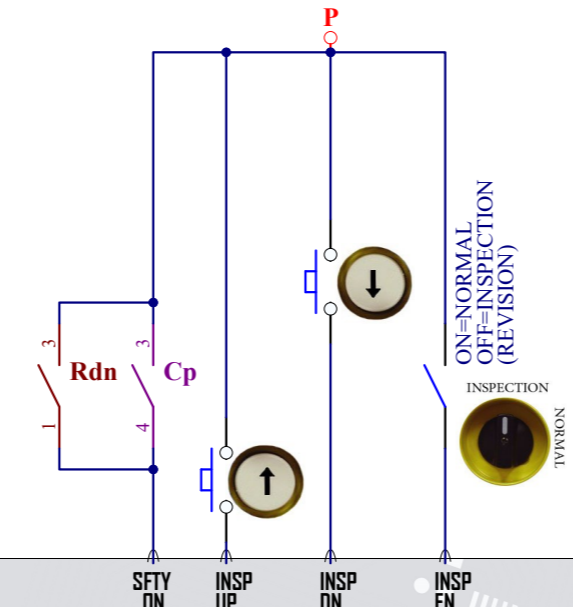
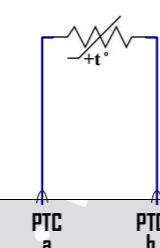
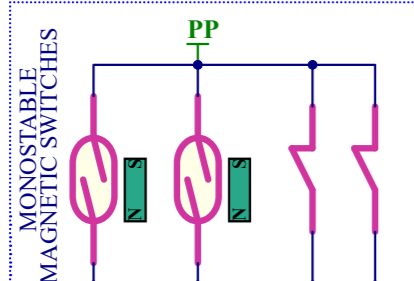
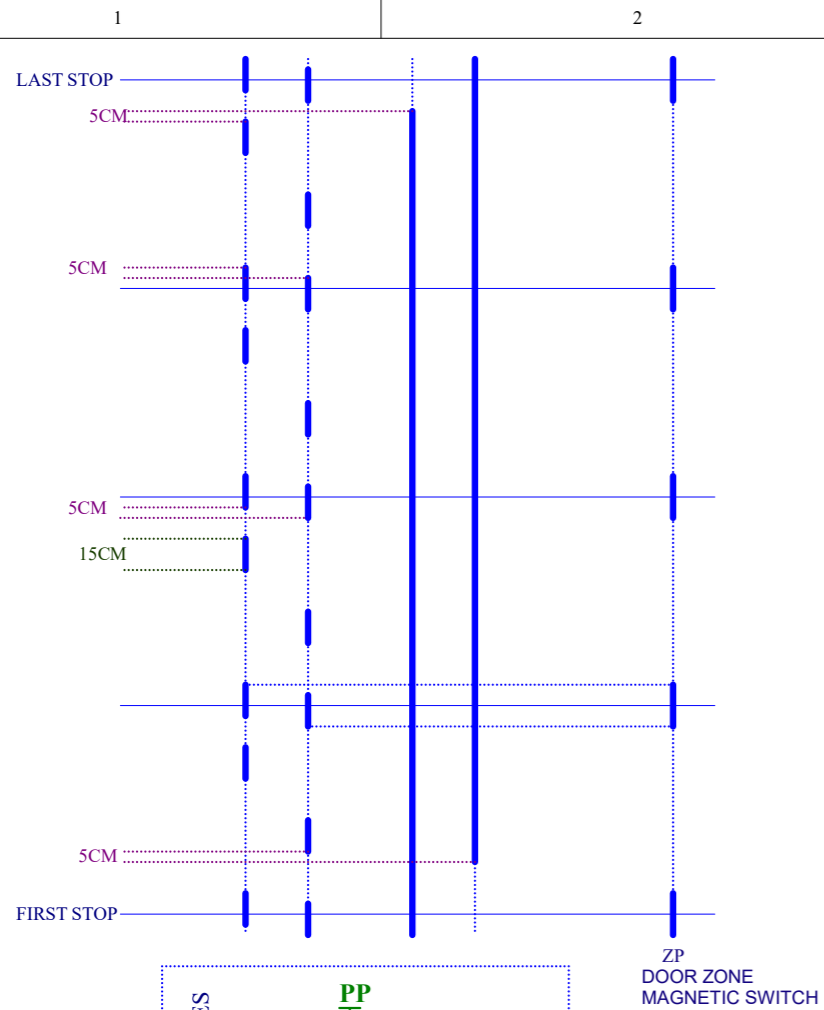
Size B	FCSM No. -	DWG No. BR310W5_Hyd_STAR-DELTA_AC.Sch	Rev 1
Scale -	Sheet 5 of 11		




C9 C8 C7 C6 C5 C4 C3 C2 C1 C0
F0 F1 F2 F3 F4
F5 F6 F7 F8 F9

MICROZED AR V3.1 BOARD

INDICATR="COLLECTD"		S.&A.S. Ltd. Jieh Chouf Lebanon support@sascontrollers.com	
MICROZED AR WIRING DIAG: CALLS / FLOOR INFORMATION Decimal Indicator with Call Register			
Size B	FCSM No. -	DWG No. BR310W10_Calls.Sch	Rev 1
Scale -		Sheet 10 of 11	



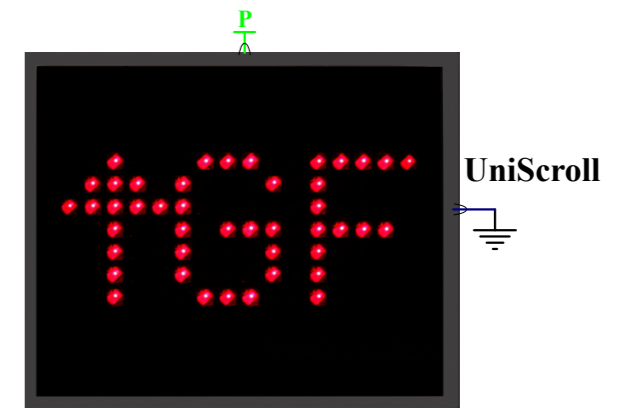
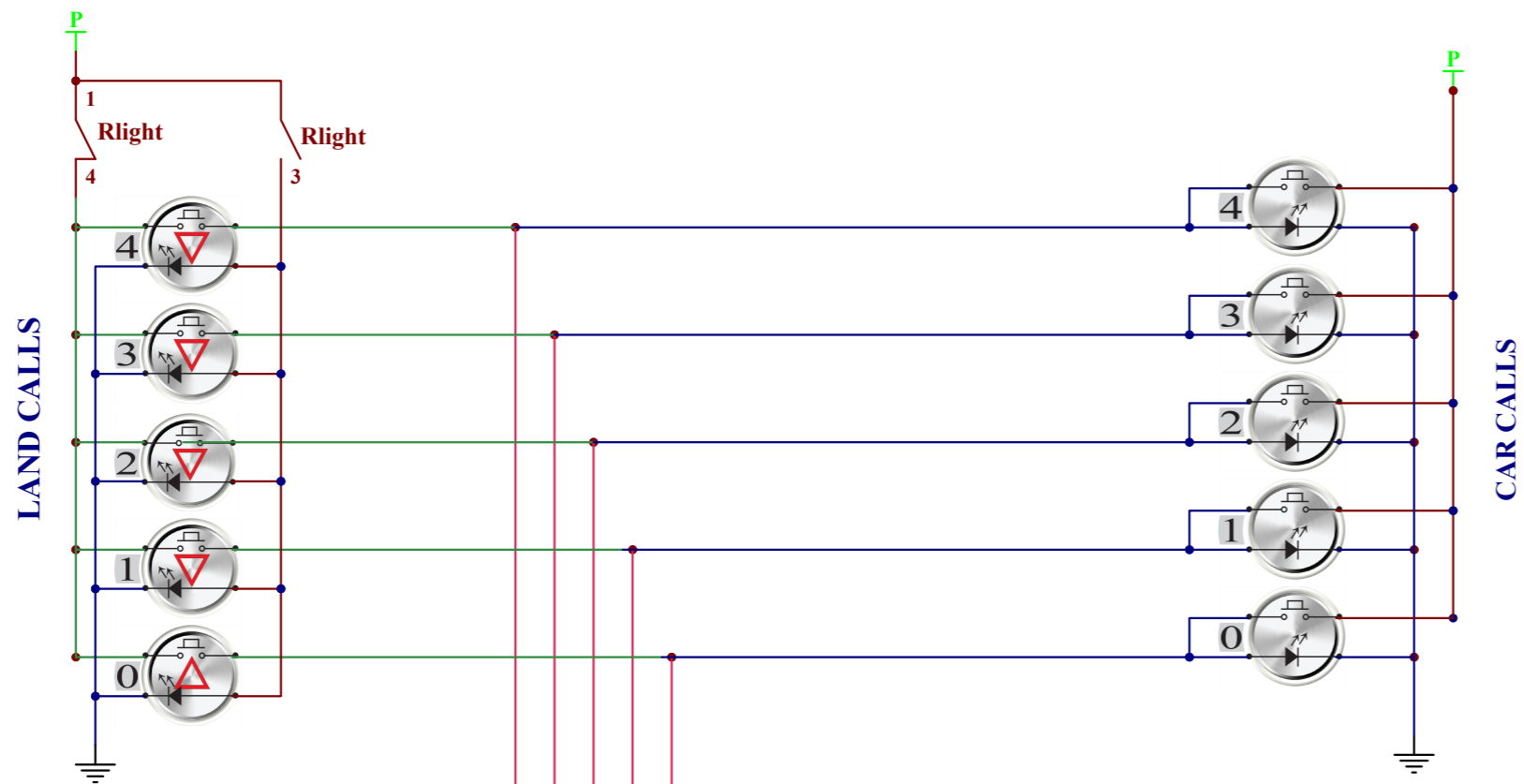
MICROZED AR V3.1 BOARD

Note:
1- Use always the Monostable Magnetic Switches configuration for Hydraulic drive.

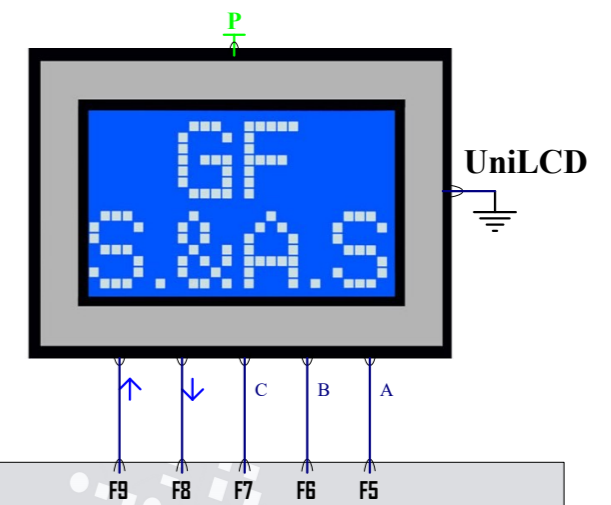
S.&A.S. Ltd.
Jieh Chouf
Lebanon
support@sascontrollers.com

MICROZED AR WIRING DIAG: **INPUTS/DOOR INFO - HYDRAULIC DRIVE**
AC Contactors

Size B	FCSM No. -	DWG No. BR310W6_Hyd_Ips_ContAC.Sch	Rev 1
Scale -	Sheet 6 of 11		



OR



MICROZED AR V3.1 BOARD

INDICATR="ENHANCED"

S.&A.S. Ltd.
Jieh Chouf
Lebanon
support@sascontrollers.com

MICROZED AR WIRING DIAG: CALLS / FLOOR INFORMATION

S.&A.S. Indicator with Call Register

Size B	FCSM No.	DWG No. BR310W11_Calls.Sch	Rev 1
Scale	Sheet		11 of 11