

S. & A.S. Co. Ltd

17V 17V P GND CLGT LIGHT

P +22V GND (-)

ASTRA VI.2 BOARD

LOW UP STAR DN HI CDRV

RELEVELING RELAY PUMP CONTACTOR DOWN DIRECTION VALVE HIGH SPEED VALVE

Rdl Rdn Cp Rh

LOCK CONTACTS CAR STEP MICROSWITCH EMERGENCY STOP SWINGING DOOR DOOR CONTACTS AUTO. DOOR

DOOR ZONE MAGNETIC SWITCH

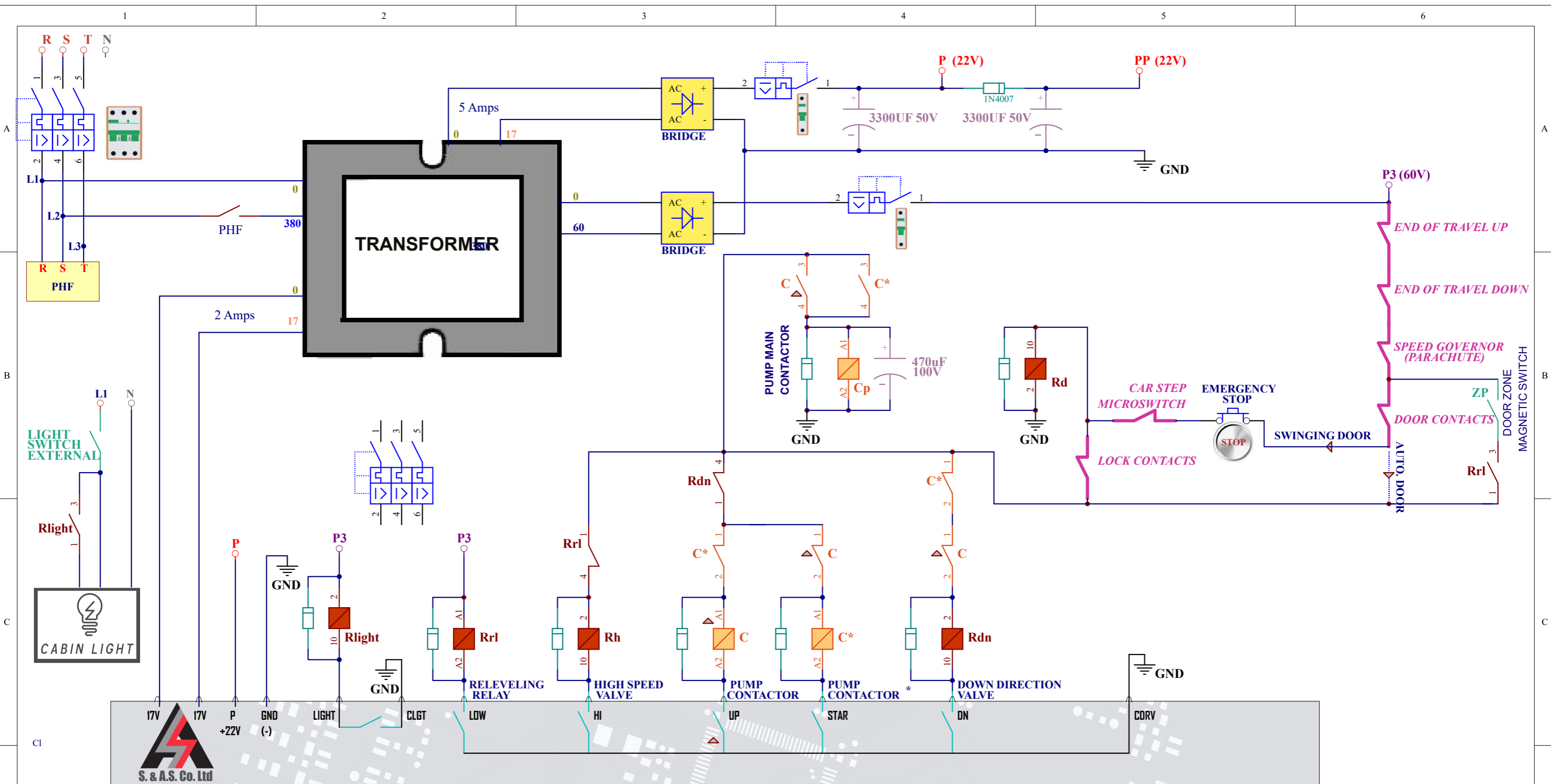
END OF TRAVEL UP END OF TRAVEL DOWN SPEED GOVERNOR (PARACHUTE)

S.&A.S. Ltd.
 Jieh Chouf
 Lebanon
 support@sascontrollers.com

ASTRA WIRING DIAG: **SUPPLY & OUTPUTS - HYDRAULIC DOL**

DC Contactors

Size B	FCSM No. -	DWG No. BA120W1_Hyd_Supply_ContDC.Sch	Rev 1
Scale -	Sheet 1 of 12		



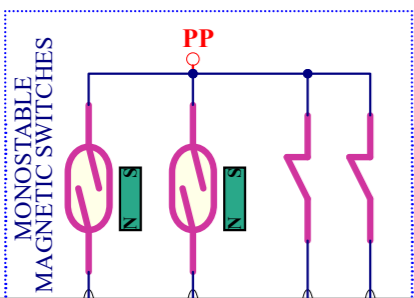
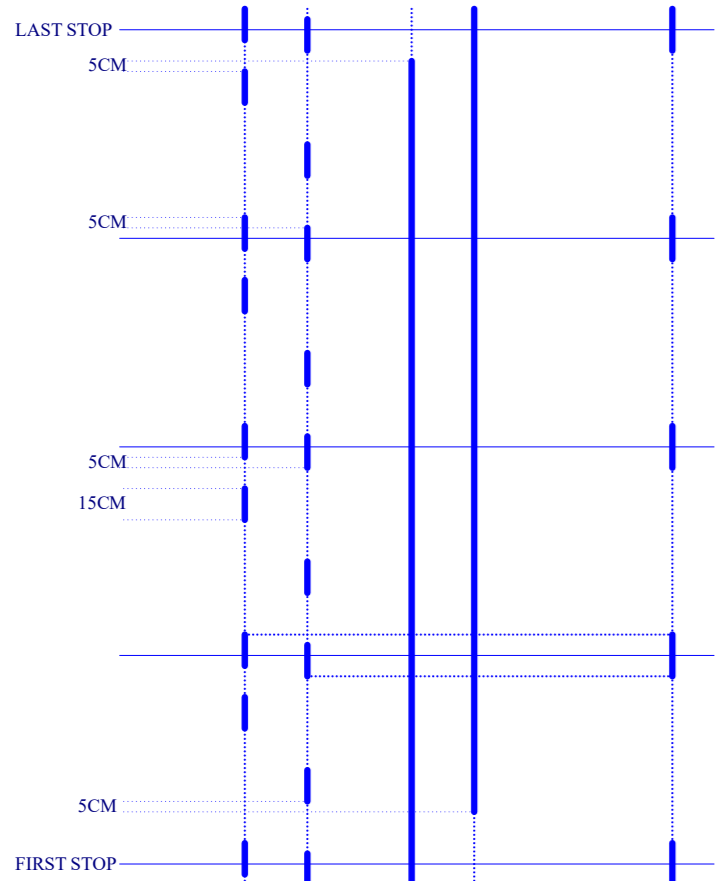
S. & A.S. Co. Ltd

S.&A.S. Ltd.
 Jieh Chouf
 Lebanon
 support@sascontrollers.com

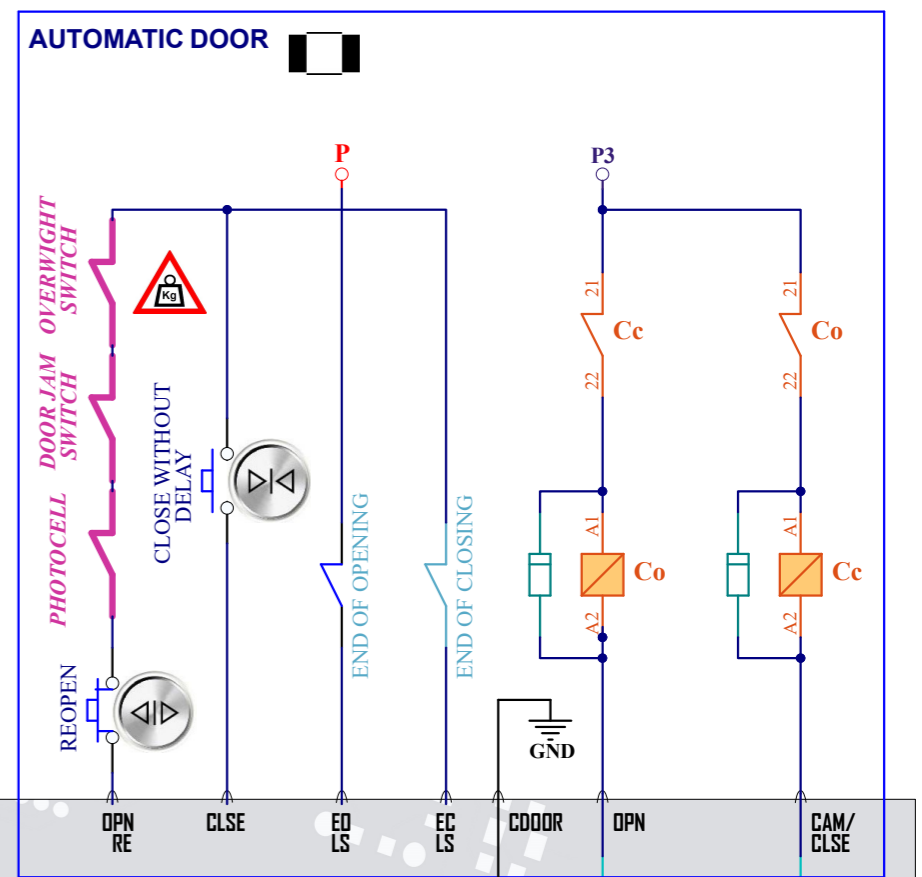
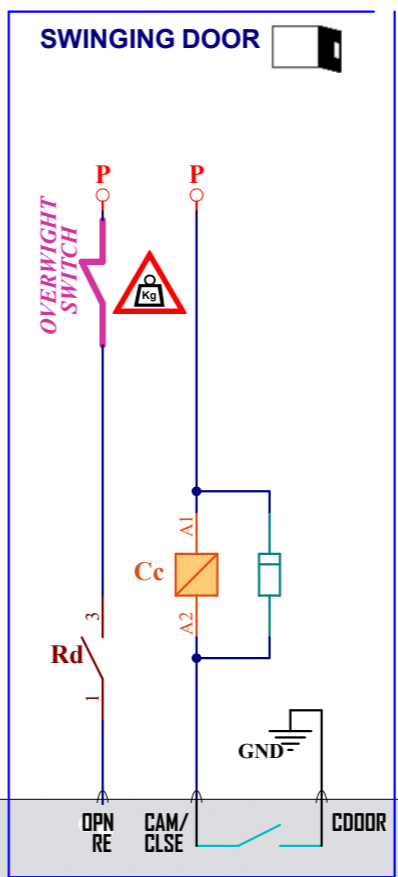
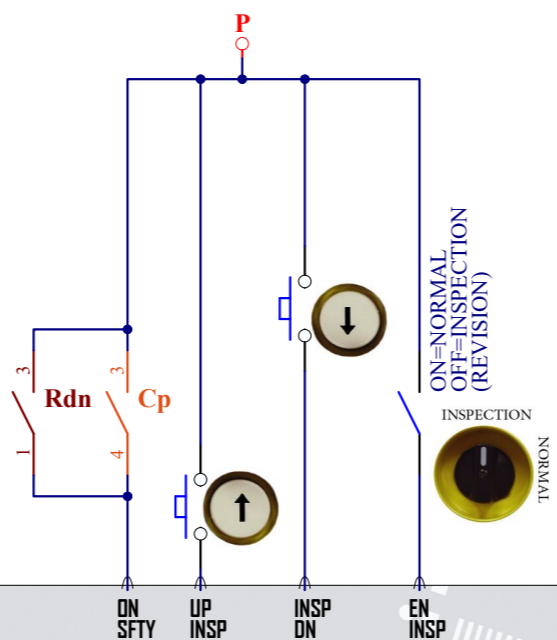
ASTRA WIRING DIAG: SUPPLY & OUTPUTS - HYDRAULIC STAR/DELTA

DC Contactors

Size B	FCSM No. -	DWG No. BA120W5_Hyd_STAR-DELTA.Sch	Rev 1
Scale -	Sheet 5 of 12		



ZP DOOR ZONE MAGNETIC SWITCH



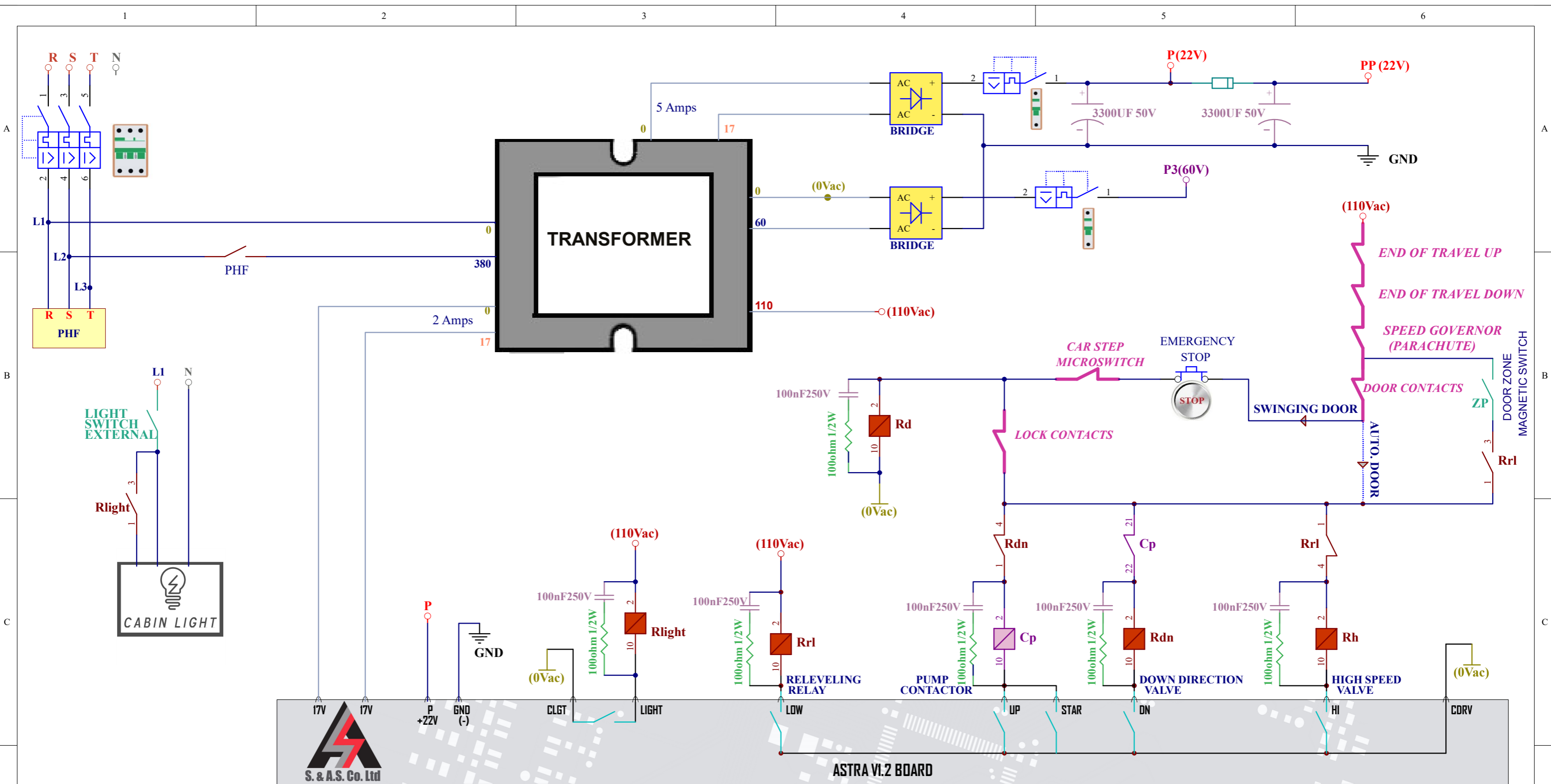
ASTRA VI.2 BOARD

Note:
1- Use always the Monostable Magnetic Switches configuration for Hydraulic drive.

S.&A.S. Ltd.
Jieh Chouf
Lebanon
support@sascontrollers.com

ASTRA WIRING DIAG: **INPUTS/DOOR INFO - HYDRAULIC DRIVE**
DC Contactors

Size B	FCSM No.	DWG No. BA120W2_Hyd_Ips_ContDC.Sch	Rev 1
Scale	Sheet		2 of 12



ASTRA VI.2 BOARD

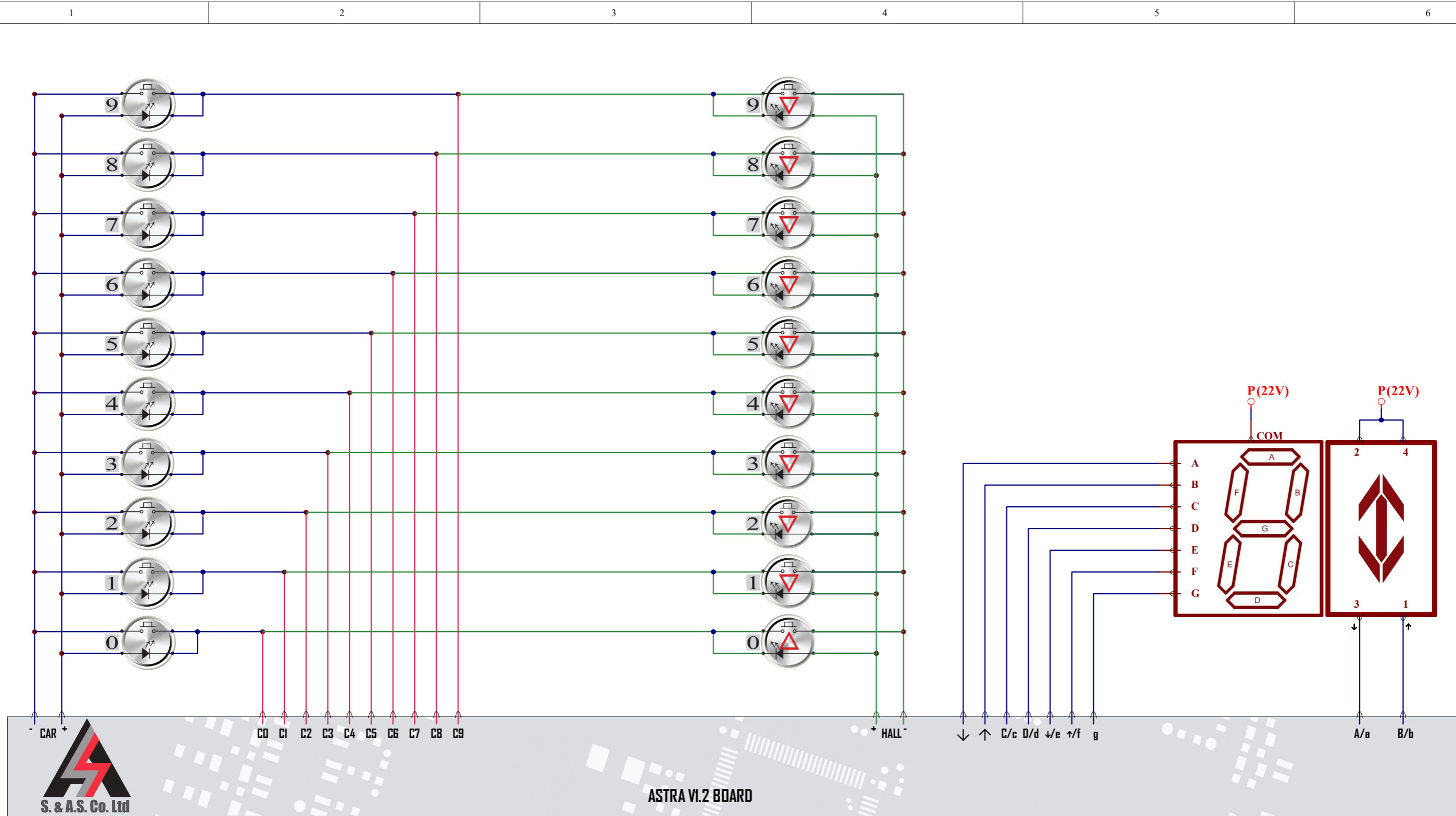
S. & A.S. Co. Ltd

S.&A.S. Ltd.
 Jieh Chouf
 Lebanon
 support@sascontrollers.com

ASTRA WIRING DIAG: SUPPLY & OUTPUTS - HYDRAULIC DOL

AC Contactors

Size B	FCSM No. -	DWG No. BA120W3_Hyd_Supply_ContAC.Sch	Rev 1
Scale -	Sheet 3 of 12		



ASTRA V1.2 BOARD

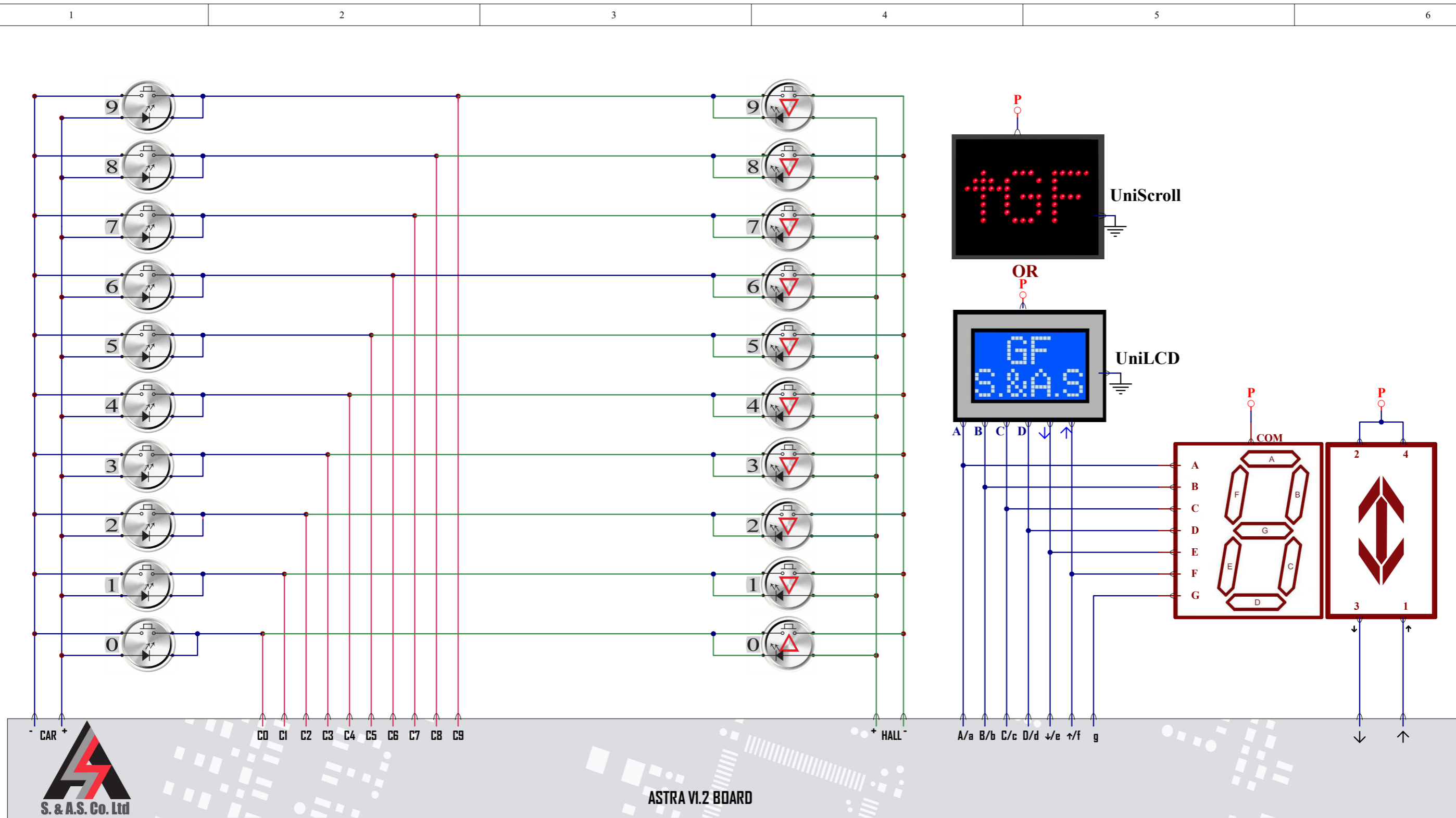
INDICATR="7SEGARO+"

COLLECTV="DOWN"

S.&A.S. Ltd.
Jieh Chouf
Lebanon
support@sascontrollers.com

ASTRA WIRING DIAG: CALLS / FLOOR INFORMATION - Down Collective- 10 stops

Size B	FCSM No.	DWG No. BA120W8_Calls_Dn10 - 7SEGARO+.Sch	Rev 1
Scale	Sheet		8 of 12



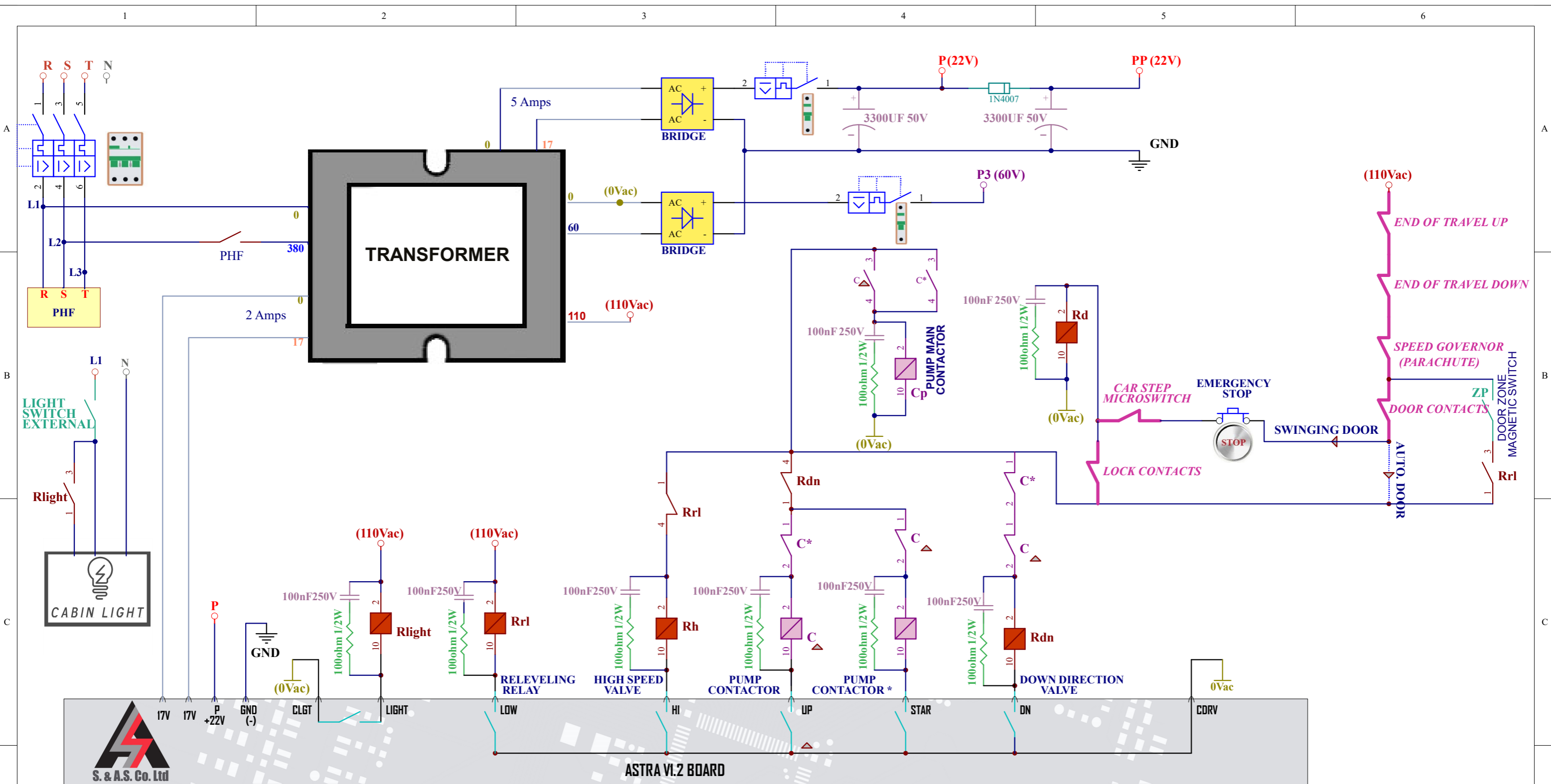
INDICATR="ENHANCED" or
"7SEGARO-"

COLLECTV="DOWN"

S.&A.S. Ltd.
Jieh Chouf
Lebanon
support@sascontrollers.com

ASTRA WIRING DIAG: CALLS / FLOOR INFORMATION - Down Collective- 10 stops

Size B	FCSM No.	DWG No. BA120W7_Calls_Dn10-Enhanced-7SEGARO-.Sch	Rev 1
Scale	Sheet		7 of 12

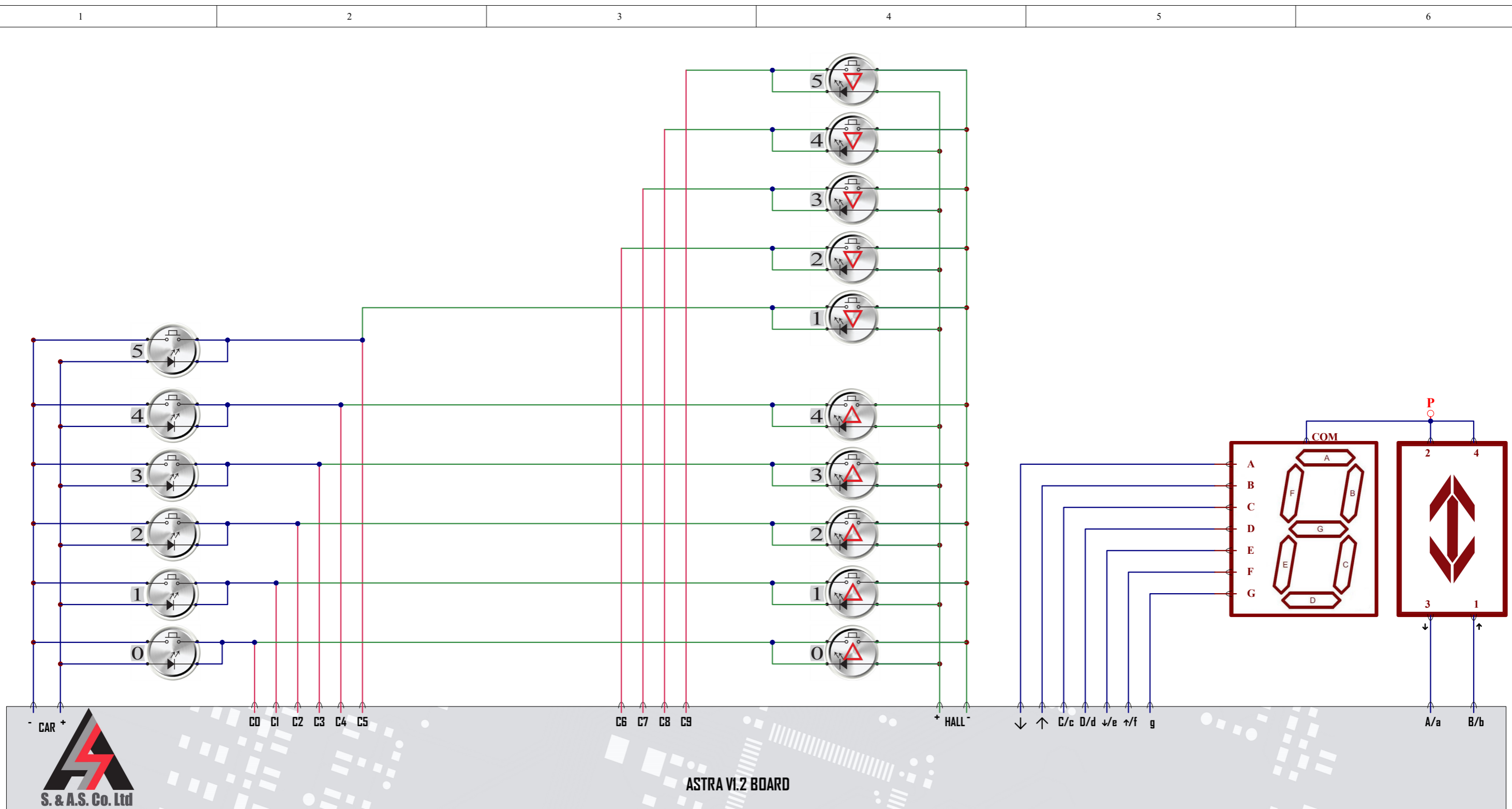


ASTRA VI.2 BOARD

S.&A.S. Ltd.
 Jieh Chouf
 Lebanon
 support@sascontrollers.com

ASTRA WIRING DIAG: SUPPLY & OUTPUTS - HYDRAULIC STAR/DELTA
 AC Contactors

Size B	FCSM No. -	DWG No. BA120W6_Hyd_STAR-DELTA_AC.Sch	Rev 1
Scale -	Sheet 6 of 12		

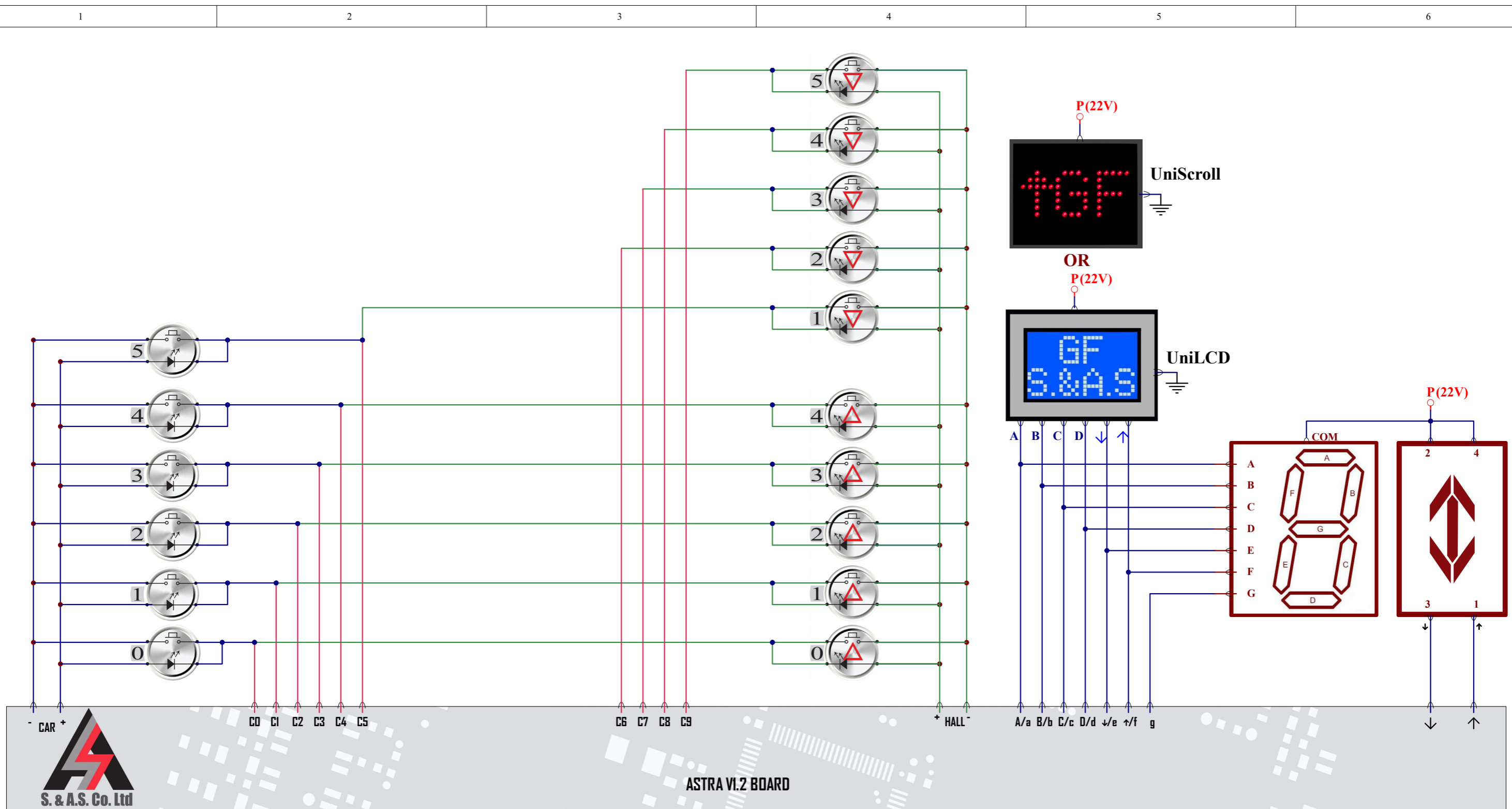


ASTRA VI.2 BOARD

INDICATR="7SEGARO+"
COLLECTV="FULL"

S.&A.S. Ltd.
Jieh Chouf
Lebanon
support@sascontrollers.com
ASTRA WIRING DIAG: CALLS / FLOOR INFORMATION - Full Collective- 6 stops

Size B	FCSM No. -	DWG No. BA120W10_Calls_Full6 - 7SEGARO+.Sch	Rev 1
Scale -	Sheet 10 of 12		



ASTRA VI.2 BOARD

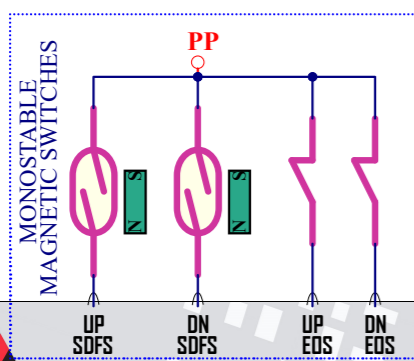
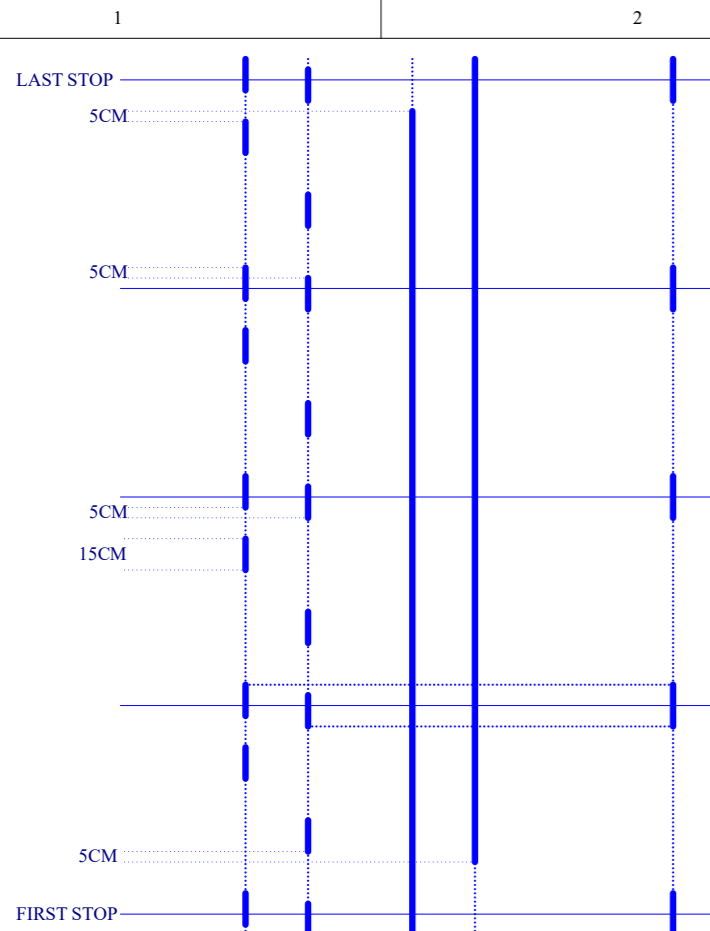
INDICATR="ENHANCED" or
"7SEGARO-"

COLLECTV="FULL"

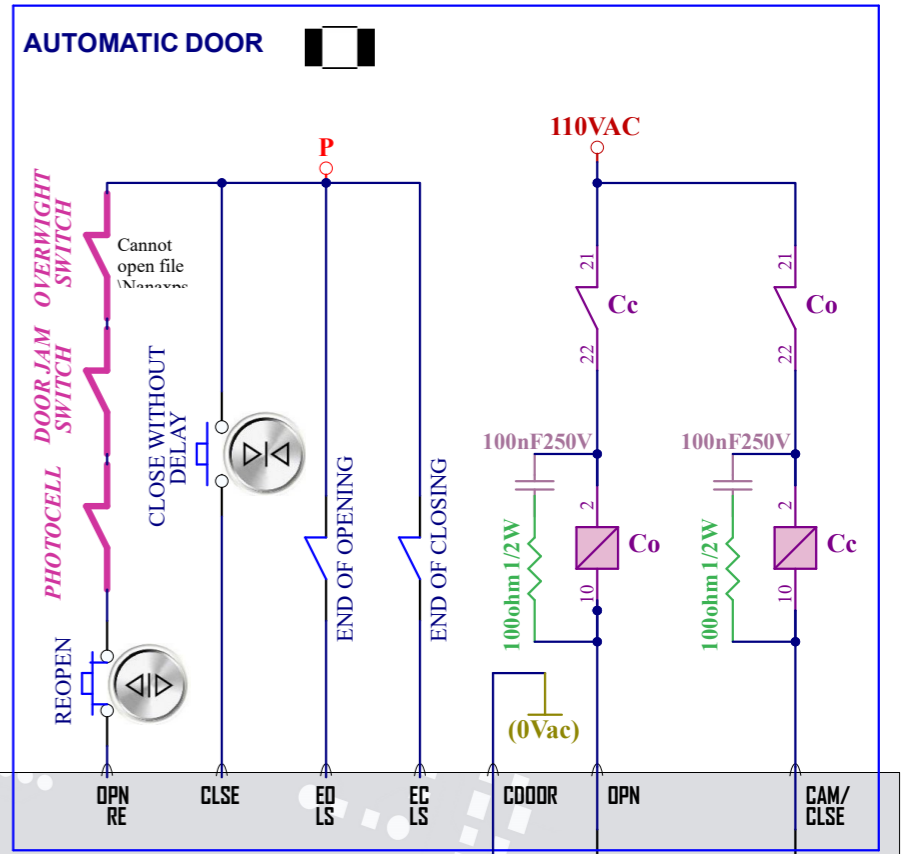
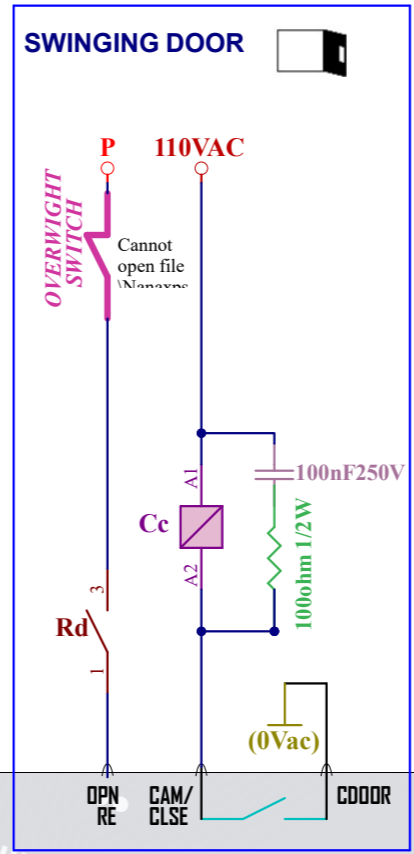
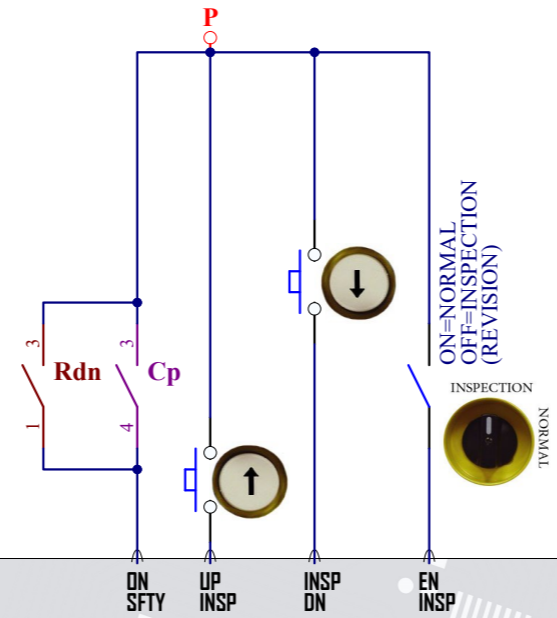
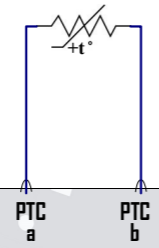
S.&A.S. Ltd.
Jieh Chouf
Lebanon
support@sascontrollers.com

ASTRA WIRING DIAG: CALLS / FLOOR INFORMATION - Full Collective- 6 stops

Size B	FCSM No. -	DWG No. BA120W9_Calls_Full6-Enhanced-7SEGARO-Sch	Rev 1
Scale -	Sheet 9 of 12		



ZP DOOR ZONE MAGNETIC SWITCH



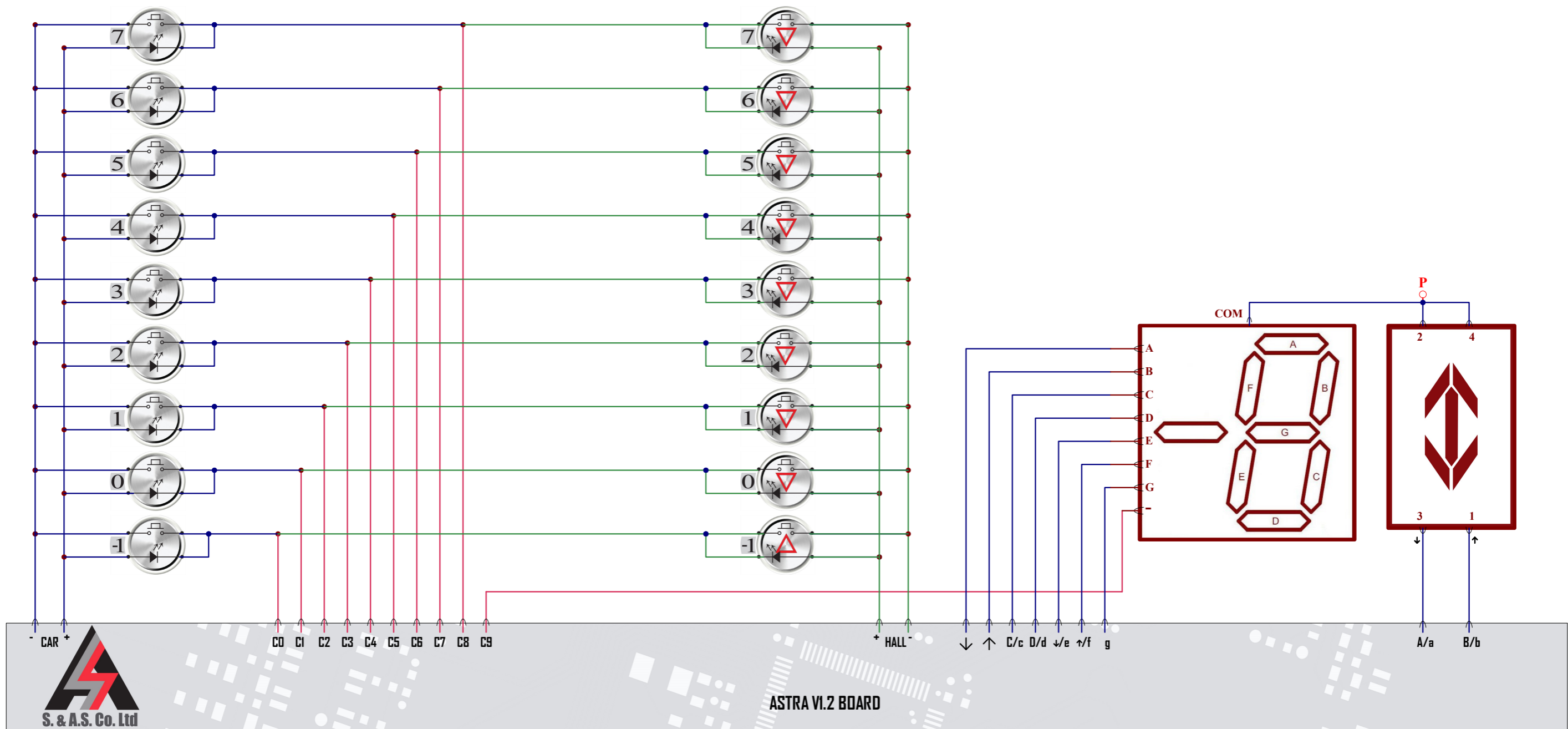
ASTRA VI.2 BOARD

Note:
1- Use always the Monostable Magnetic Switches configuration for Hydraulic drive.

S.&A.S. Ltd.
Jieh Chouf
Lebanon
support@sascontrollers.com

ASTRA WIRING DIAG: **INPUTS/DOOR INFO - HYDRAULIC DRIVE**
AC Contactors

Size B	FCSM No. -	DWG No. BA120W4_Hyd_Ips_ContAC.Sch	Rev 1
Scale -	Sheet 4 of 12		

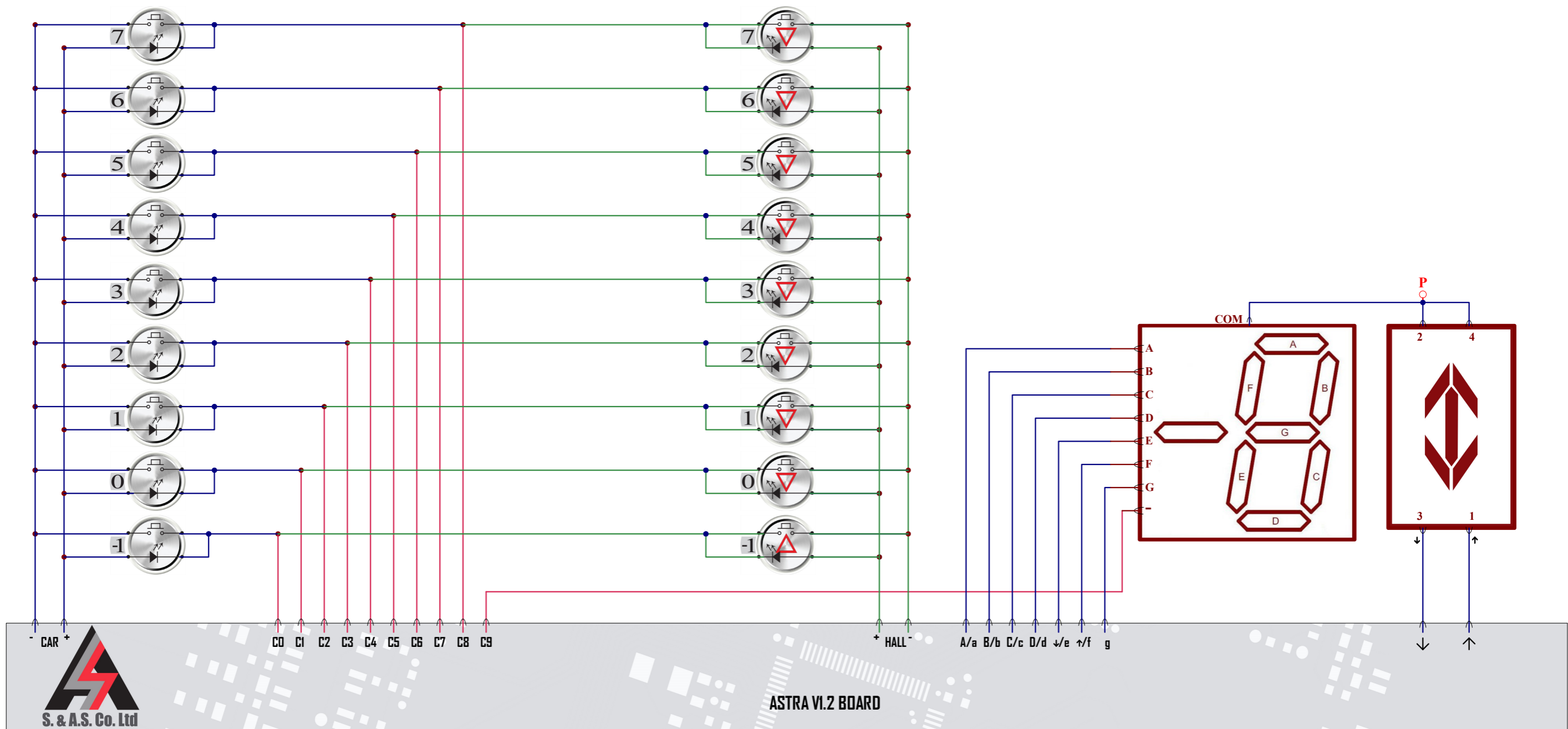


ASTRA VI.2 BOARD

INDICATR="7SG-ARO+"
 COLLECTV="DOWN"

S.&A.S. Ltd.
 Jieh Chouf
 Lebanon
 support@sascontrollers.com
 ASTRA WIRING DIAG: CALLS / FLOOR INFORMATION - Down Collective- 9 stops
 7Seg indicator with basements

Size B	FCSM No. -	DWG No. BA120W12_Calls_7SegwBas - 7SG-ARO+.Sch	Rev 1
Scale -	Sheet 12 of 12		



ASTRA VI.2 BOARD

INDICATR="7SG-ARO-"
COLLECTV="DOWN"

S.&A.S. Ltd.
Jieh Chouf
Lebanon
support@sascontrollers.com
ASTRA WIRING DIAG: CALLS / FLOOR INFORMATION - Down Collective- 9 stops
7Seg indicator with basements

Size B	FCSM No. -	DWG No. BA120W11_Calls_7SegwBas-7SG-ARO-.Sch	Rev 1
Scale -	Sheet 11 of 12		