

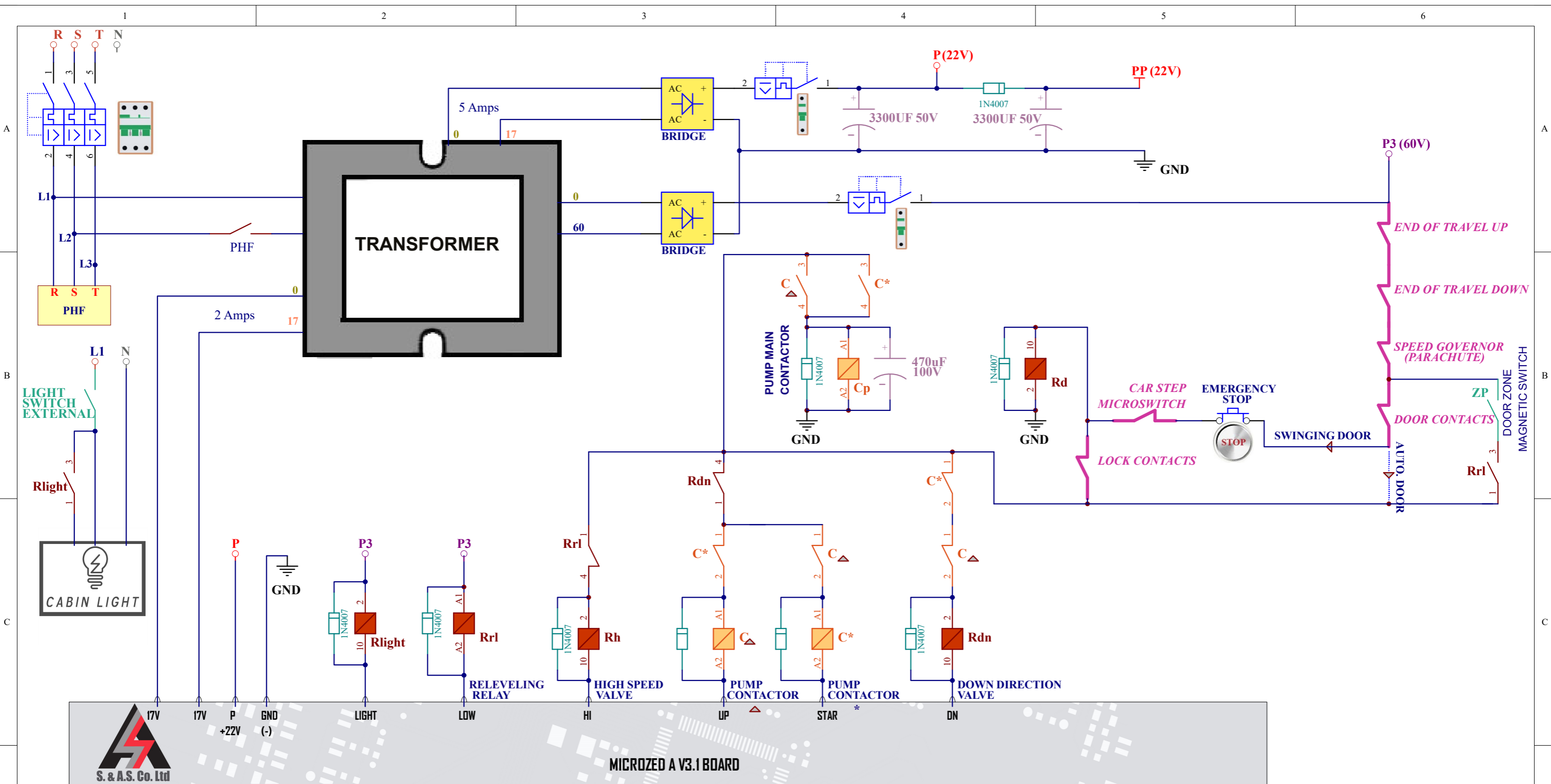
MICROZED A V3.1 BOARD

S.&A.S. Ltd.
Jieh Chouf
Lebanon
support@sascontrollers.com

MICROZED A WIRING DIAG: **SUPPLY & OUTPUTS - HYDRAULIC DOL**

DC Contactors

Size B	FCSM No. -	DWG No. BV3.1_Hyd_Supply_ContDC.Sch	Rev 1
Scale -	Sheet 1 of 8		

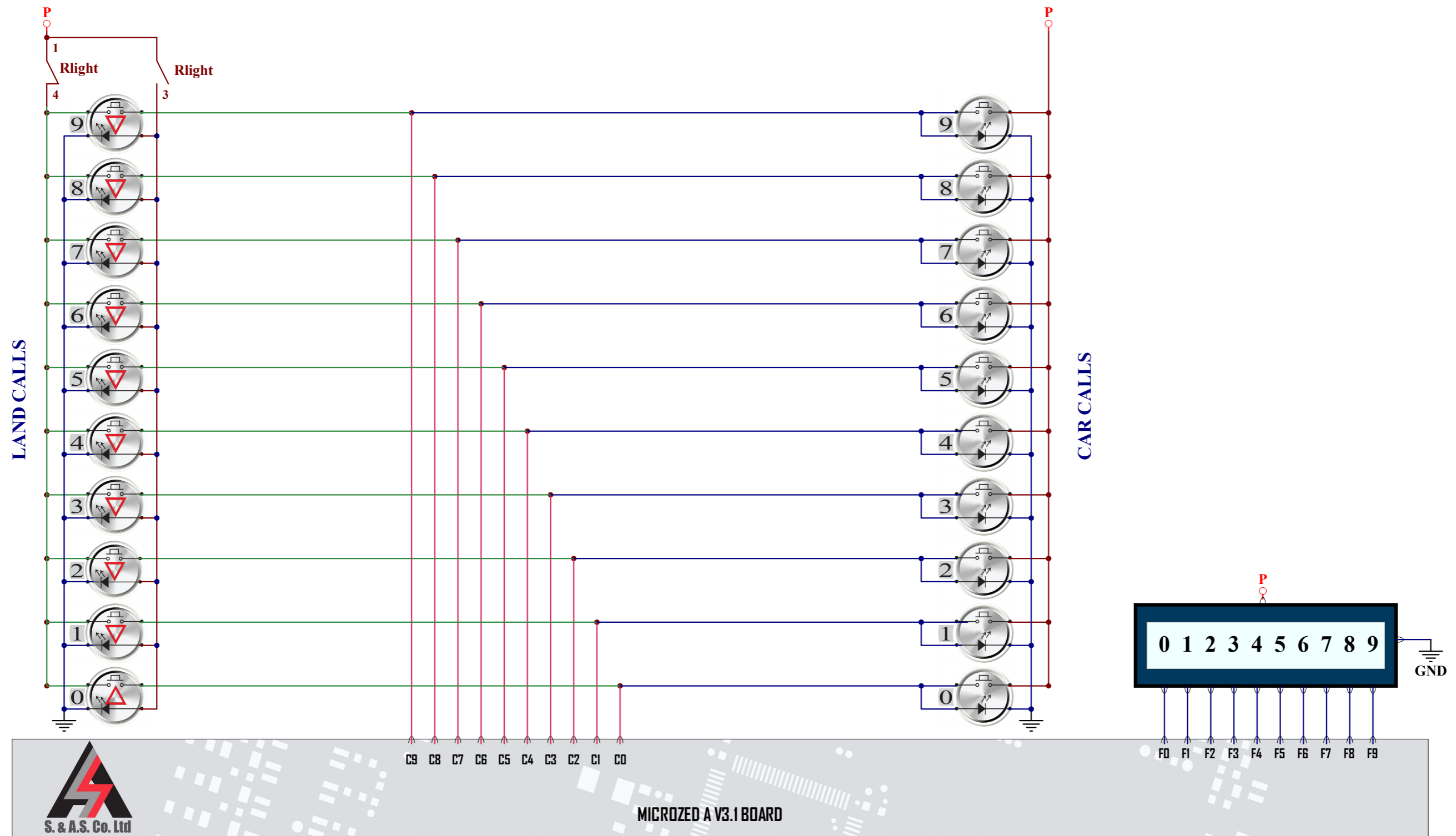


MICROZED A V3.1 BOARD

S.&A.S. Ltd.
 Jieh Chouf
 Lebanon
 support@sascontrollers.com

MICROZED A WIRING DIAG: **SUPPLY & OUTPUTS - HYDRAULIC STAR/DELTA**
DC Contactors

Size B	FCSM No. -	DWG No. BV3.1W2_Hyd_STAR-DELTA.Sch	Rev 1
Scale -	Sheet 2 of 8		



MICROZED A V3.1 BOARD

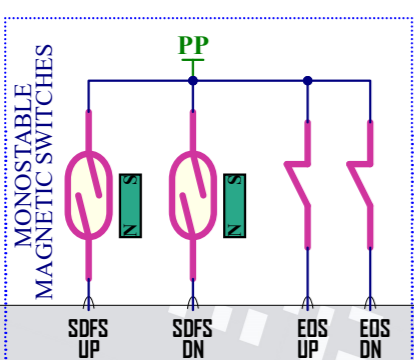
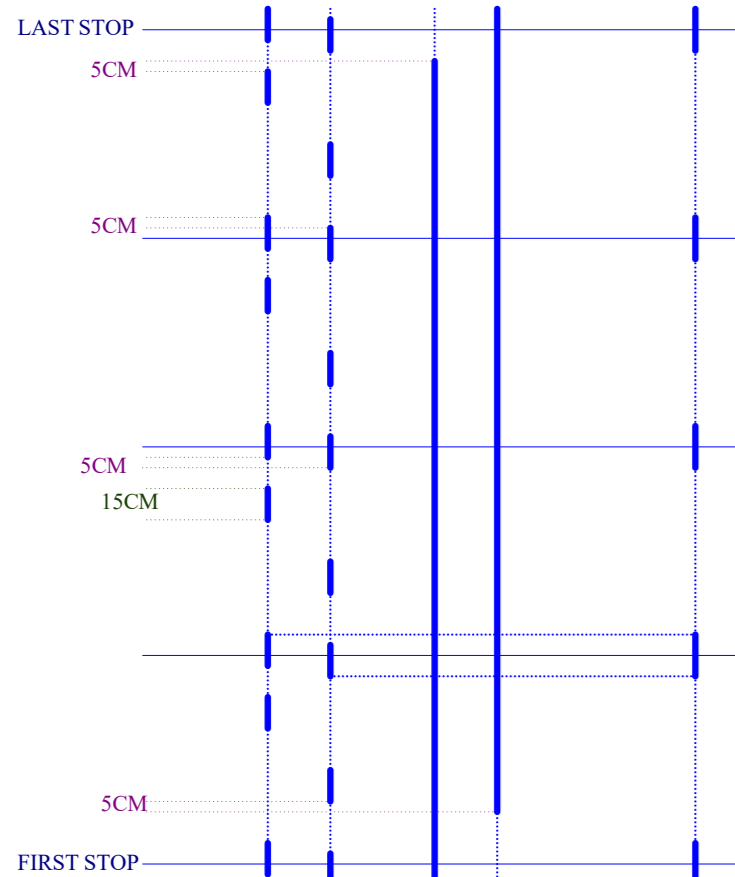
INDICATR="DECIMAL"

S.&A.S. Ltd.
Jieh Chouf
Lebanon
support@sascontrollers.com

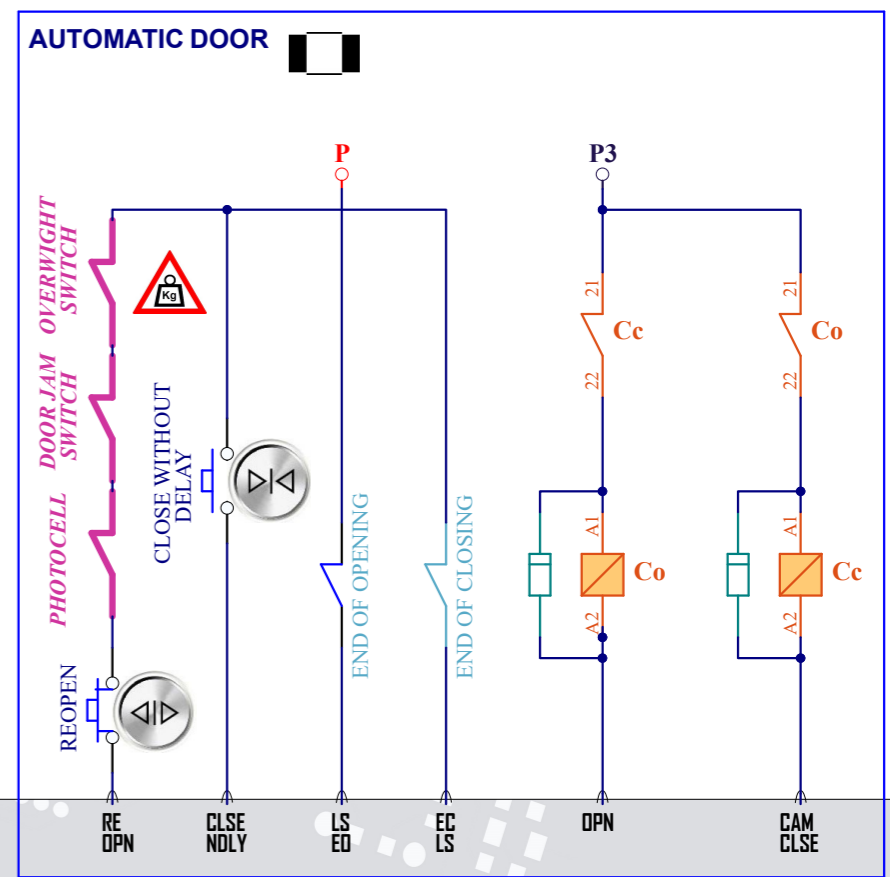
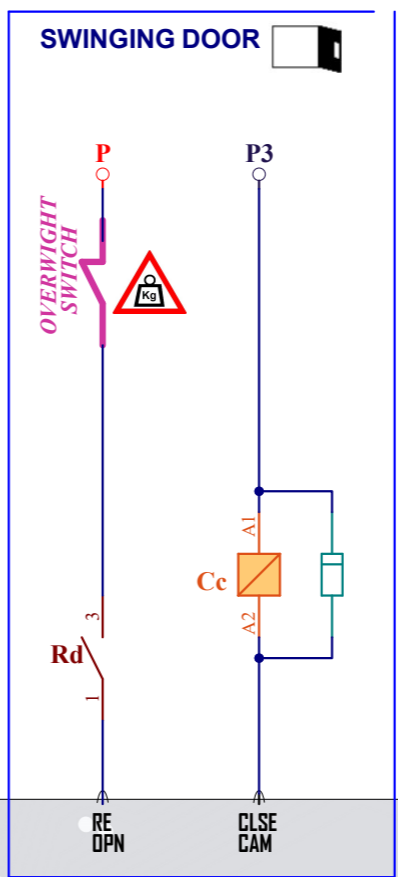
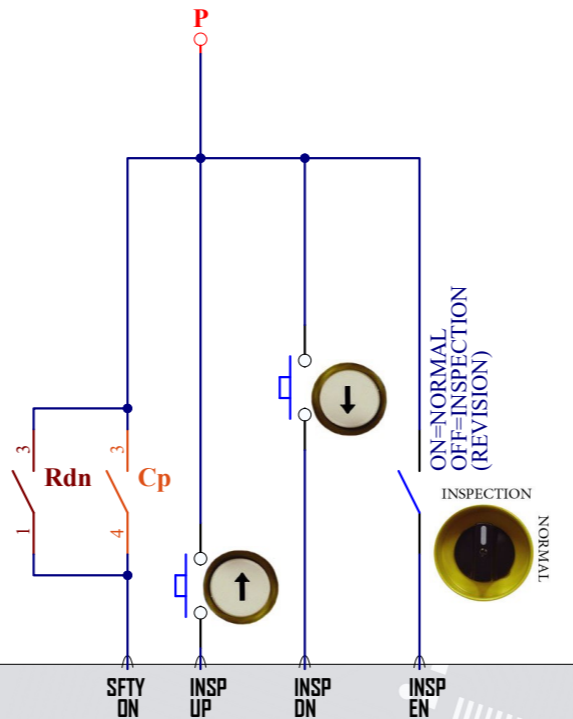
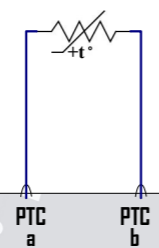
MICROZED A WIRING DIAG: CALLS / FLOOR INFORMATION

Decimal Indicator - No Call Register

Size B	FCSM No.	DWG No. B310W4_Calls.Sch	Rev 1
Scale	Sheet		4 of 8



ZP DOOR ZONE MAGNETIC SWITCH



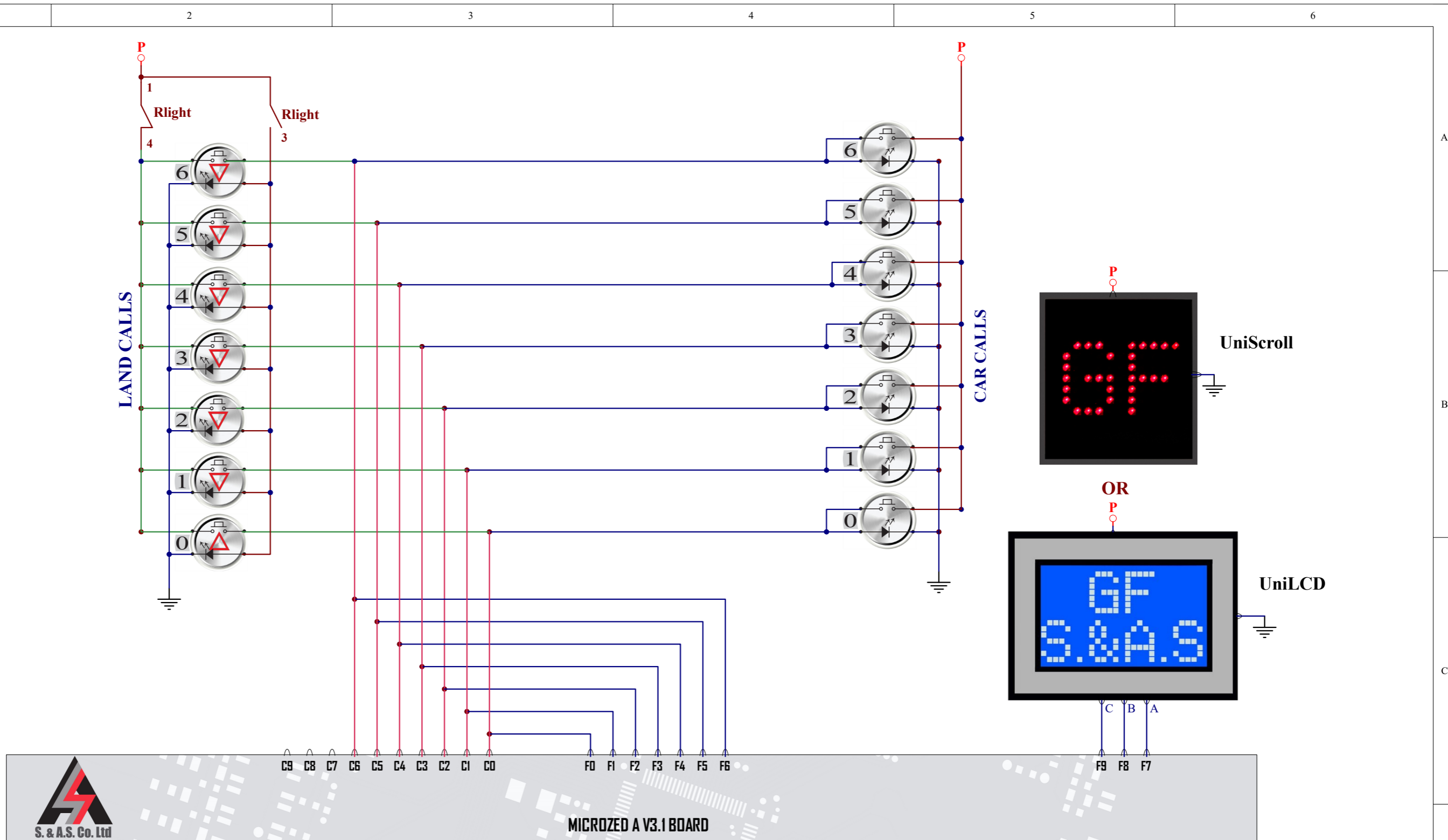
MICROZED A V3.1 BOARD

Note:
1- Use always the Monostable Magnetic Switches configuration for Hydraulic drive.

S.&A.S. Ltd.
Jieh Chouf
Lebanon
support@sascontrollers.com

MICROZED A WIRING DIAG: **INPUTS/DOOR INFO - HYDRAULIC DRIVE**
DC Contactors

Size B	FCSM No.	DWG No. BV3.1W3_Hyd_Ips_ContDC.Sch	Rev 1
Scale	Sheet		3 of 8



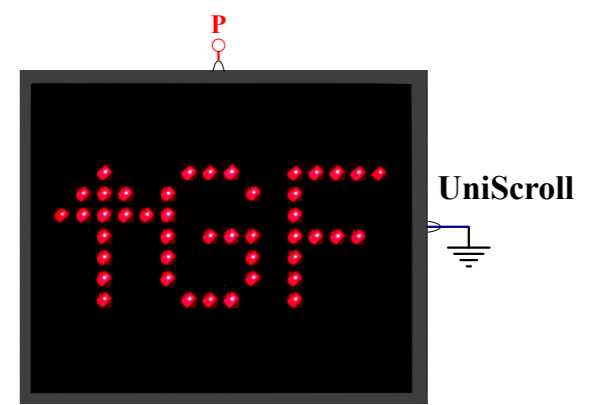
MICROZED A V3.1 BOARD

INDICATR="COLLECT7" or
INDICATR="GRAY R" or
INDICATR="BINARY R"

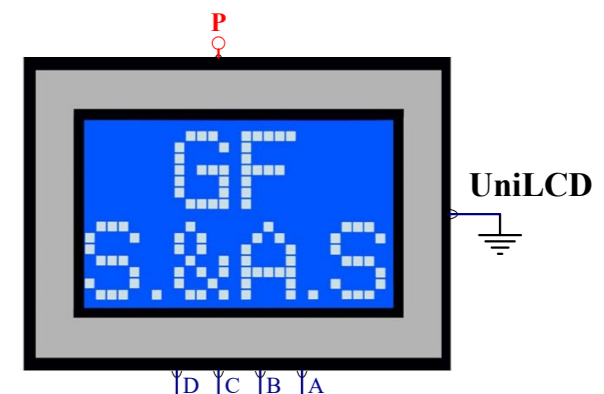
S.&A.S. Ltd.
Jieh Chouf
Lebanon
support@sascontrollers.com

MICROZED A WIRING DIAG: CALLS / FLOOR INFORMATION
Gray/ Binary/ Collective with Call Register

Size B	FCSM No.	DWG No. B310W5_Calls.Sch	Rev 1
Scale	Sheet		5 of 8



OR



MICROZED A V3.1 BOARD

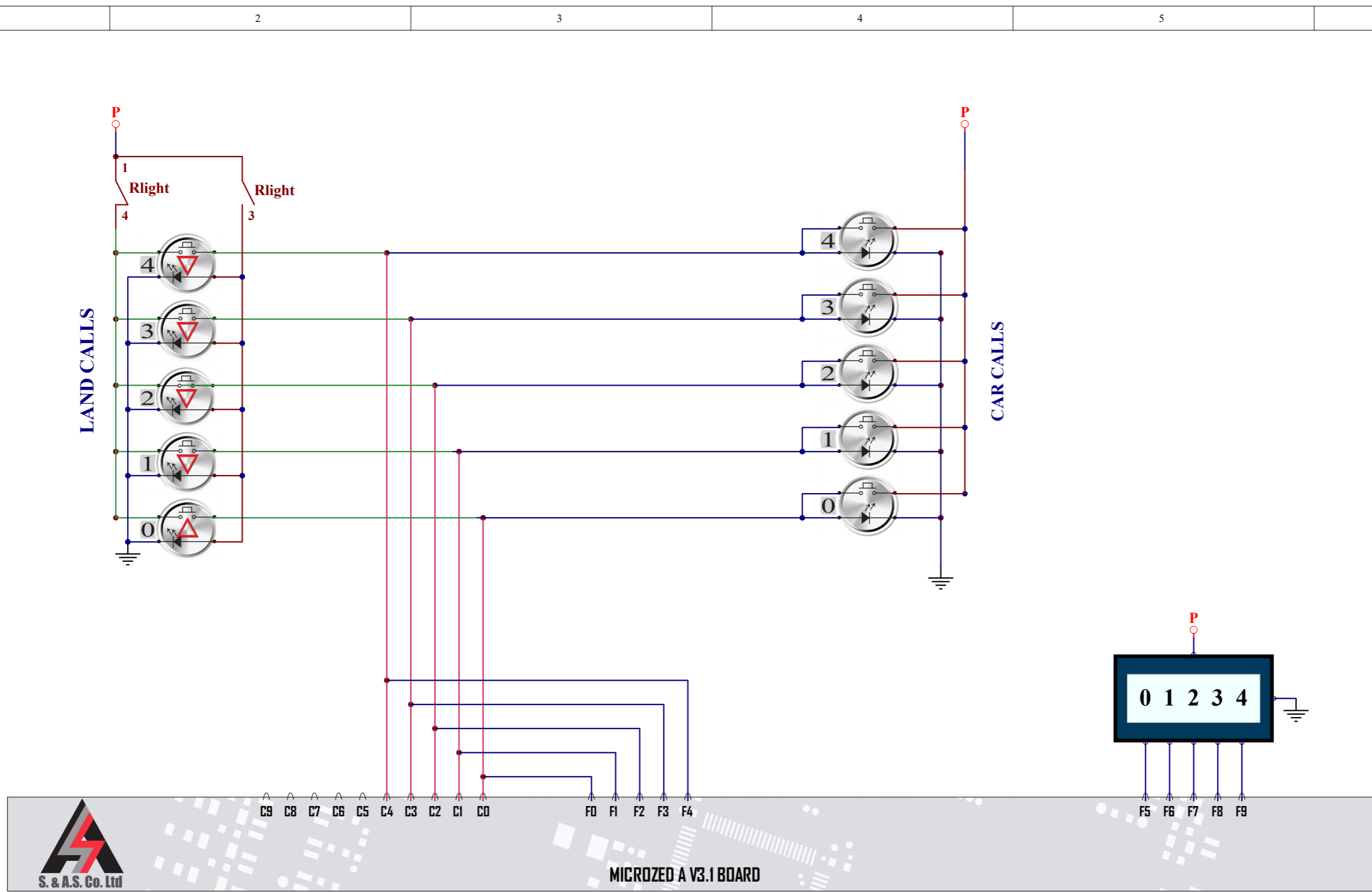
INDICATR="GRAY NR" or
INDICATR="BINARY NR"

S.&A.S. Ltd.
Jieh Chouf
Lebanon
support@sascontrollers.com

MICROZED A WIRING DIAG: CALLS / FLOOR INFORMATION

Binary/Gray Indicator - No Call Register

Size B	FCSM No.	DWG No. B310W6_Calls.Sch	Rev 1
Scale	Sheet		6 of 8



MICROZED A V3.1 BOARD

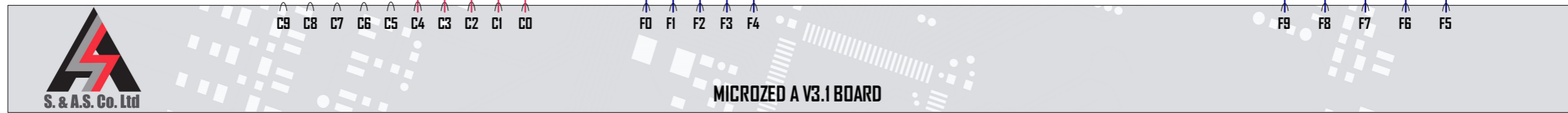
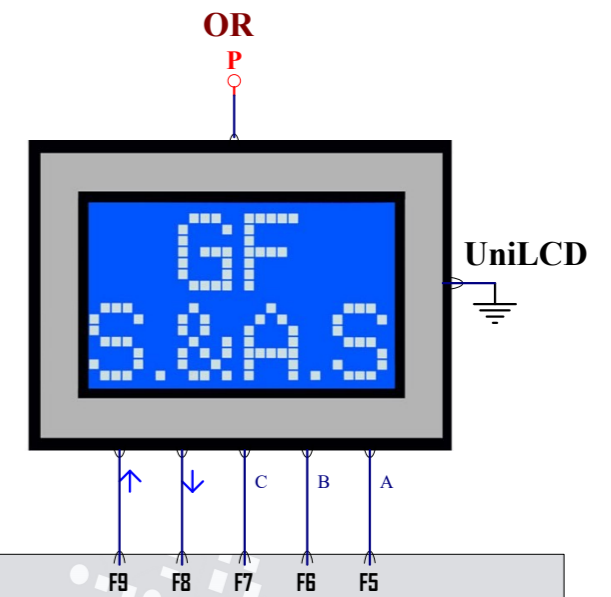
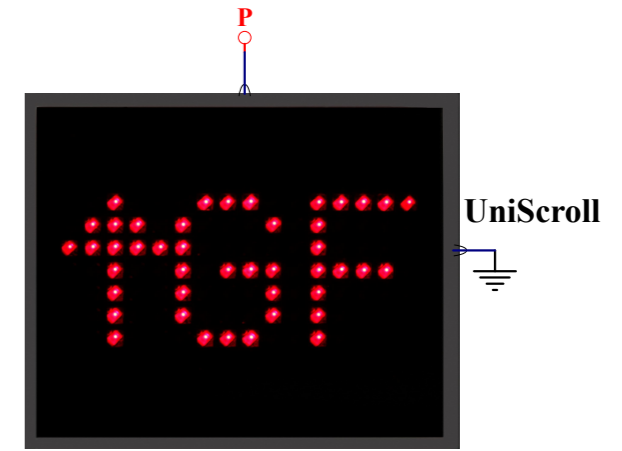
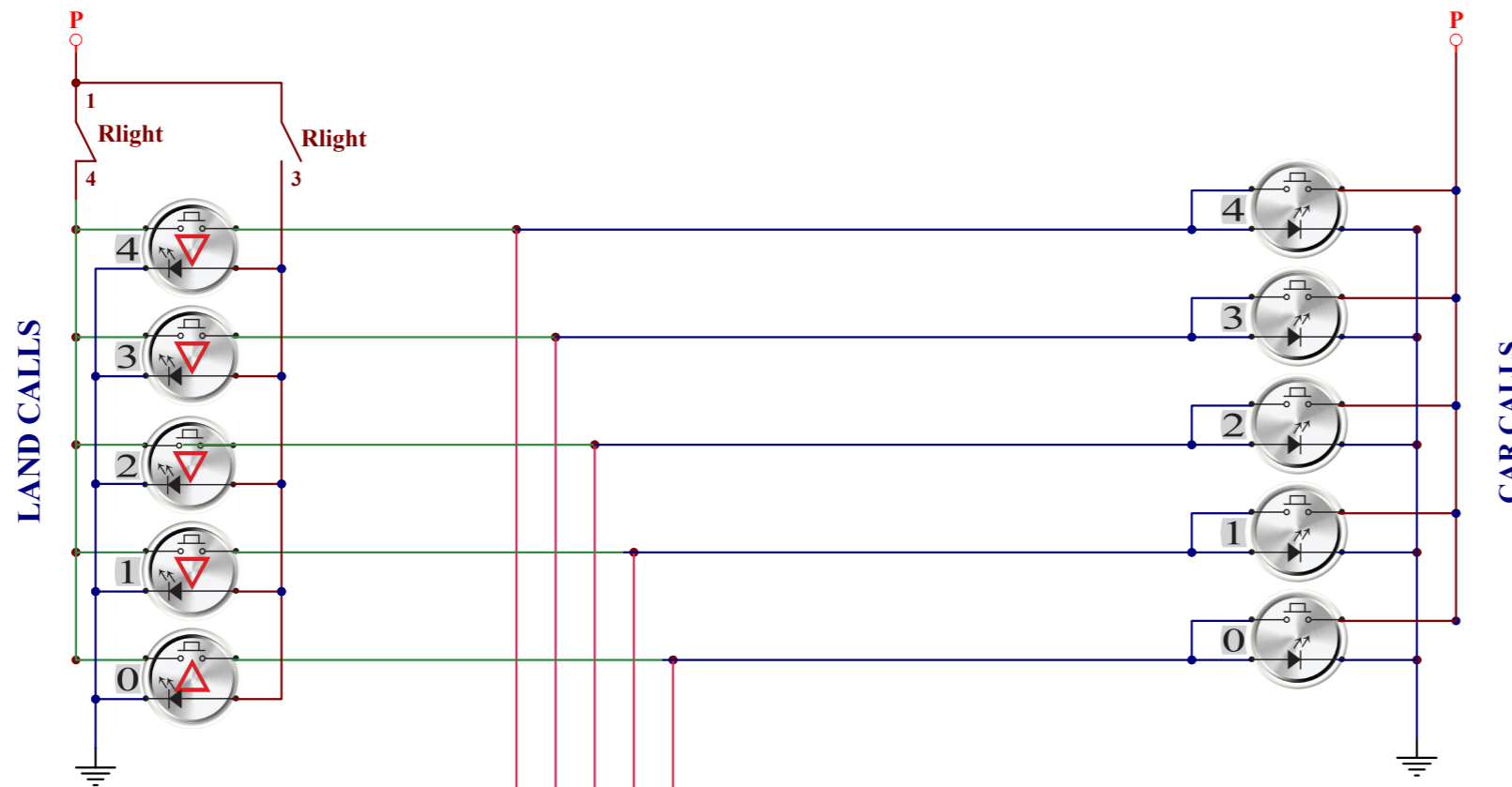
INDICATR="COLLECTD"

S.&A.S. Ltd.
 Jieh Chouf
 Lebanon
 support@sascontrollers.com

MICROZED A WIRING DIAG: CALLS / FLOOR INFORMATION

Decimal Indicator with Call Register

Size B	FCSM No. -	DWG No. B310W7_Calls.Sch	Rev 1
Scale -	Sheet 7 of 8		



INDICATR="ENHANCED"		S.&A.S. Ltd. Jieh Chouf Lebanon support@sascontrollers.com	
MICROZED A WIRING DIAG: CALLS / FLOOR INFORMATION			
S.&A.S. Indicator with Call Register			
Size B	FCSM No.	DWG No. B310W8_Calls.Sch	Rev 1
Scale		Sheet	8 of 8